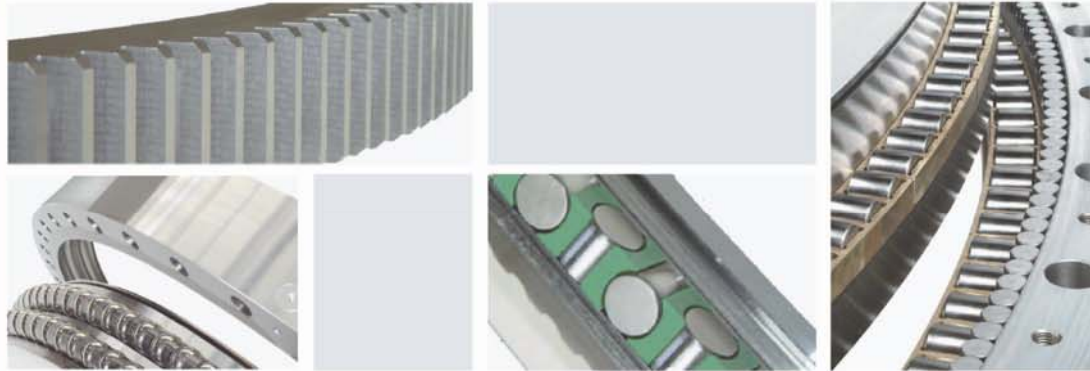


Newfoton



回转支承

Slewing Ring Catalog

鞍山新福源设备有限公司
Anshan Newfoton Machinery Co., Ltd

Tel: +86(412)7105527 7224715



回转产品研发专家

特种领域拓展先锋

科技创新领先者

*Expert of slew product
Pioneer of special application
Leader of innovation*

鞍山新福源设备有限公司为新福田集团的下属独立企业。成立于1996年，专业从事回转产品的研发、设计、生产、检测以及维修。旗下拥有回转支承(90mm-8000mm)和回转驱动2大系列产品。在多年的专业化生产实践中，公司拥有一支成熟的专业化队伍，积累了丰富的经验，积极推动回转支承及回转驱动在特殊领域的应用，并取得了显著成果，NFB品牌已在国内外的应用赢得良好的口碑。

NFB回转支承和回转驱动的特点如下：防水，防尘，防风沙；耐热，耐寒，耐腐蚀；精密，分体，高承载。特殊要求，特殊设计，特殊定制。

产品主要应用于军工和新能源开发、医疗设备，环保水下设备，高精度生产线，海上平台，近海设备，矿山机械、旋转输送装置、冶金机械、航天航空等特种领域。

企业在保证并提升产品质量的同时，不断研发新产品、提高产品档次以满足快速扩大的市场需求。企业的主旨是全力打造NFB品牌，持续追求顾客、企业、员工及其利益相关者共赢，成为国内著名、国际上有影响力的回转支承制造厂家。

Anshan Newfoton Machinery Co., Ltd is one independent subsidiary of Newfoton Group Limited, which is a professional company engaged in research and development, design, manufacture, inspection and repair of slewing products for 20 years. Our main products are slewing ring from 90mm to 8000mm and slew drive. For many years professional production, Newfoton owns a professional team, accumulates rich experience to produce slewing ring and slew drive for special field, and promote application in special field. Now NFB brand gains a good reputation.

NFB brand excellent advantages: waterproof, dustproof, sand-proof; heat-resisting, cold-resisting corrosion-resisting; High precision, Splitting, high loading; special requirement, special design, special customization.

NFB slewing ring and slew drive can be used in many special field, such as war industry, new energy development field, Environmental protection underwater equipment, harbor machinery, mining machinery, rotating conveyer device, metallurgical machinery, aviation, filling machine, medical equipment and so on.

We will assure the product quality when we are enlarging industrial scale, researching and developing new products and improving product level to meet the market demand. Our main goal is to build "NFB" brand and make all of the customers, enterprise and employees obtain benefits to be a famous slewing ring manufacture in home and abroad.



四点接触球法兰式

Four-point contact ball and flanged design



四点接触球式

Four-point contact ball designs



交叉滚柱式

Cross roller



设计特点

Design Feature

轻负荷应用

内齿、外齿和无齿

For applications with light loads
Internal, external, and non gear versions available

直径范围广，静载荷比类似设计的交叉滚柱类型高
内齿、外齿和无齿

Higher static load capacity than similar design cross roller one
Internal, external, and non gear versions available

与四点接触球式相比
具有更高的刚性和动态载荷
内齿、外齿和无齿

Greater stiffness and dynamic capacity than four point contact bearing
Internal, external, and non gear versions available

应用领域

Typical Application

灌装机械 工业定位器

输送机 装卸工程 拉伸包装机

Bottling machines, handling technology, industrial positioners, conveyors, stretch wrapping equipment

起重机和操纵器 风力发电涡轮
高空升降机 机器人 医疗设备

Crane and manipulators, aerial lifts, Robots, medical equipment, wind energy turbines

雷达卫星天线 工作母机
激光塔 医疗设备 定位装置

Radar & satellite antennas, turrets, machine tools, medical technology, positioning devices

特殊设计

Special Design

材质：不锈钢

Material: Stainless steel

滚动体：陶瓷球，不锈钢球

Rolling element: Ceramic, stainless steel

密封条：

适应温度 -50° --- +70°

Seals: Permissible temperature: -50° --- +70°

保持架：特制黄铜保持架

Cage: Special brass cage

表面处理：

镀锌，发黑，喷砂

Surface treatment: ZnFe coating, black coating, sandblast

应用案例

Application Show





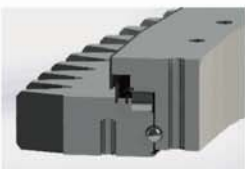
三排滚柱式 Three rows rollers



双排球式 Double-row ball



球柱联合式 Ball/roller combination



设计特点

Design Feature

对于给定直径的产品来说
刚性最强，载荷力最高
内齿、外齿设计

Greatest stiffness
and capacity for a given diameter
gear versions available

可承受比单排球更强的轴向
承载力 内齿、外齿设计

Much higher axial loads than single-row type.
gear versions available

轴向承载力强用于轴向
承载力为主的设备 外齿

Application for High axial load capacity
External

应用领域

Typical Application

堆取料机 重型轧钢设备
可移动的港口起重机
采矿设备 液压挖掘机

Stackers and reclaimers, Heavy mill equipment,
Mining equipment, Mobile port crane,
Hydraulic shovel

回转输送机 中大型起重机
卷线机 转向架 转台云梯

Slewing mechanisms, bogies, winders,
medium-sized to large cranes, turntables

堆取料机 重型轧钢设备
采矿设备 散料机械 堆垛机

Reclaimers, stackers, mining machines
bulk materials handling machines

特殊设计

Special Design

齿面硬化：齿面淬火，
齿根淬火，分段淬火

Gearing hardness: Hardened tooth flanks,
tooth roots, segment

分体式回转支承适用于
不能长时间停转的设备

Split slewing ring are ideal for situation
where complete dismantling of a machines
would be uneconomic

润滑方式：
稀油润滑，延长使用寿命

Lubrication:
thin oil lubrication to prolong life

其他客户定制设计

Other custom design

应用案例

Application Show





Slewing rings used in offshore and underwater equipments require high safety, good anti-corrosion, sealing properties as well as high loading capacity, higher reliability. NFB slewing ring enjoy high reputation in applications due to their consistent high efficiency and reliability.

近海设备和水下用回转支承要具有很高的安全性和很好的防腐性、密封性、高承载能力、高可靠性。NFB 回转支承以其卓越的性能赢得了美誉。





冶金与矿山机械的工作环境恶劣，温度高，粉尘大，回转支承承受的载荷大。NFB 三排滚柱式、球柱联合式回转支承可以在这种情况下很好地工作。



Metallurgical and mining equipments are characterized by their tough working conditions, like high temperature and heavy dust, required slewing rings with high load capacity. Three-row roller and the roller & ball combination slewing rings can work very well in these conditions.



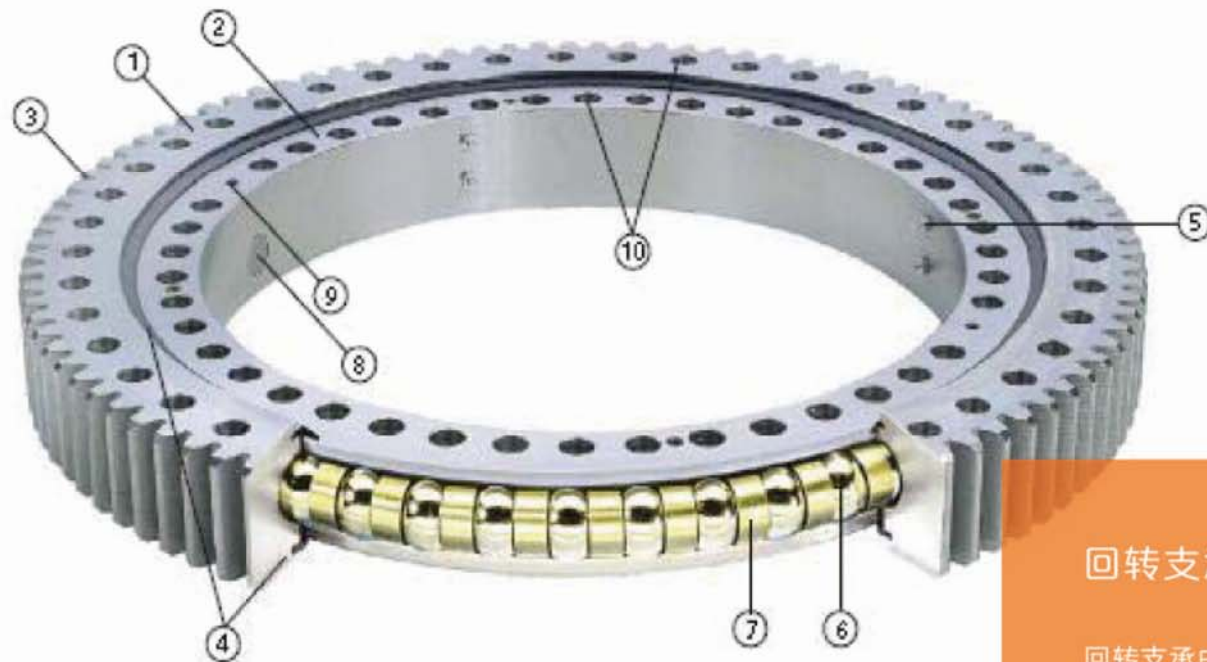


High precision slewing ring 2008
China Eletronics Technology
Group Corporation
Rotary slewing bearing of
information collection system for
Shenzhou 7



高精度回转支承 2008
中国电子科技集团公司
神州七号信息采集用转向轴承





Construction and function of a Slewing Ring

Slewing Rings consist of an internal external ring (1) and (2) with an integrated raceway system and optional internal or external gear (3). A functional seal (4) protects the raceway system on the upper and lower sides. Slewing Rings are designed for grease lubrication which is carried out via grease nipples (5). In Slewing Rings, the rolling elements (6) carry the loads between the inner and outer ring. The load capacity of the raceway system is determined predominantly by the raceway design, the hardening depth, and the number and size of the rolling elements. Spacers (7) separate the rolling elements and minimize friction and wear. The rolling elements are inserted during manufacture through the filling plug hole (8), retained by the filling plug which is then secured by a pin (9). The force is transmitted to the mounting structure by bolts. Through holes or threaded holes (10) can be provided in the inner and outer rings for these bolts.

回转支承的功能结构

回转支承由带滚道的，内齿或外齿（3）的内圈（1）和外圈（2）组成。一个功能性的密封条（4）保护滚道系统的上下面。回转支承通过注油孔（5）进行油脂润滑。在回转支承内部，滚动体（6）承受内圈与外圈之间的载荷。滚道系统的承载能力主要取决于滚道的设计、硬化层深度、滚动体的数量和尺寸。隔离块（7）使滚动体分离来减少摩擦与损坏。滚动体在生产过程中通过安装堵的孔（8）装入，然后装上堵用销（9）把堵固定住。通过螺栓传送到安装结构。内外圈为螺栓提供通孔或螺纹孔（10）。

1 和 2 内圈与外圈

轴承由中碳钢的内外圈组成。每个包含最少一个从机器的一个结构转移载荷和相对运动到其他结构的精确滚道，滚道有选择地根据在机器操作中传送的压力程度进行表面和深度硬化。在滚道圆周的某个位置有一个不需要硬化的区域叫硬化间隙或软带。这个区域被减轻到承受由滚动体施加给它的最小压力。只有每个圈的一个面制造成紧密配合支撑结构。一个或两个圈可能包含一个完整的驱动装置如：齿轮或链轮齿使机器有优势克服转动阻力和通过轴承提供相对运动。

3 齿轮

能提供作为内圈或外圈的一个构成部分的齿轮的回转支承。根据齿侧间隙规定和中国齿轮制造协会质量标准，他们一般是标准的最大深度或短齿渐开线带20度压力角的正齿。根据要求也可以修改基本齿形，压力角和质量。为了装配，齿跳动的最大点可以做标记用于识别。根据要求也可用其他方式。

4 密封条

为了保留润滑油和防尘或小的颗粒污染物，回转支承每个面都要用密封条。合成橡胶材质的密封条一般适合于用矿物油和锂基脂或钙增稠剂润滑油。如果要求用特殊的密封条，新田轴承能根据要求提供详细信息。

5 润滑油嘴

回转支承至少提供一个油嘴用于滚道和内部零部件的定期润滑。在有齿轮结构设计上，它经常在没有齿的圈上。它的数量一般根据轴承的直径增加。或多或少根据要求决定。

6 滚动体

精确的滚动体能在内外圈之间进行相对旋转和传送载荷。硬化的铬合金钢球或滚柱可作为滚动体。他们按照预应力合适地排列和紧密地配合在轴承圈间提供均部载荷并减小转动阻力。

7 隔离块

隔离块使滚动体分开并在旋转过程中减小摩擦、滑动和堵塞。载荷的分布和扭曲安装结构与轴承在机器的操作中会产生这些情况。隔离块一般用与典型油脂和操作环境不矛盾的塑料材质制造。

8 和 9 塞堵 圆锥销

滚动体从没有齿的圈上钻的孔中塞入回转支承，然后放上塞堵。塞堵用一个圆锥销在合适的位置固定住。

10 安装孔

理想的孔类型是通孔均匀的分布在轴承圈的整个圆周上。由于装配或维护的原因不是所有的机器设计都能与这种类型的孔一致，可能会要求用螺纹孔甚至是特别的螺栓类型在一个或所有圈上。

1 & 2

INNER AND OUTER RINGS

The bearing consists of an inner and outer ring made of medium carbon steel. Such as: 42CrMo, 50Mn, C45 and so on. Each includes at least one precision raceway arranged to transfer loads and relative motion from one structure of equipment to the other, the raceways are selectively hardened to the required surface and depth necessary to transit high stresses imposed during operation of the equipment. In one location around the raceway, there is an unhardened area referred to as the hardness gap or soft spot. This area is relieved to minimize the ability of the rolling element to apply stress on it. Only one side of each ring is manufactured to be mated with the supporting structure. One or both rings may include an integral drive mechanism such as gear or sprocket teeth to enable the mechanical advantage necessary to overcome rotational resistance and provide relative motion through the bearing.

3

GEAR

Slewing ring can be supplied with gear teeth as an integral part of either the inner or outer ring. They are typically a standard full depth or stub involute spur gear having a 20° pressure angle with provision for backlash and conforming to AGMA Q6 quality.

However, where required, modifications of the basic tooth forms, pressure angles, and quality can be provided. For assembly purposes, the maximum point of gear runout is identified with paint. Alternative methods may be applied upon request.

4

SEALS

A seal is included on each side of slewing ring for retention of lubricant and protection of the bearing from dust and small particle contamination. The seals are made of an elastomer material compatible with most general purpose lubricants having mineral oil and greases using lithium or calcium thickeners. If conditions require different sealing, NBF can provide details of additional options upon request.

5

GREASE NIPPLE

At least one grease nipple is supplied in one of the slewing ring for periodic lubrication of the raceway and internal components. On designs with integral gear teeth, it is located in non-gear ring. The number supplied typically increases with bearing diameter. More or less may be included upon request.

6

ROLLING ELEMENT

Precision rolling elements enable relative rotation and transmit load between the inner and outer rings. Hardened chrome alloy steel balls or rollers may serve as the rolling elements. They are sized appropriately for the anticipated stresses and closely matched to provide uniform load distribution between the rings and minimize rotational resistance.

7

SPACERS

Spacers separate the rolling elements and are designed to minimize friction, skidding, and jamming during rotation. These conditions occur as a result of load distribution and distortion of the mounting structures and bearing rings during operation of the equipment. Spacers are generally made of a plastic material compatible with typical lubricants and operating environments.

8 & 9

FILLING PLUG AND PIN

The rolling elements in slewing rings may be inserted through a hole drilled radially through the non-gear race and then plugged. The plug is retained mechanically with a pin to assure proper orientation is maintained.

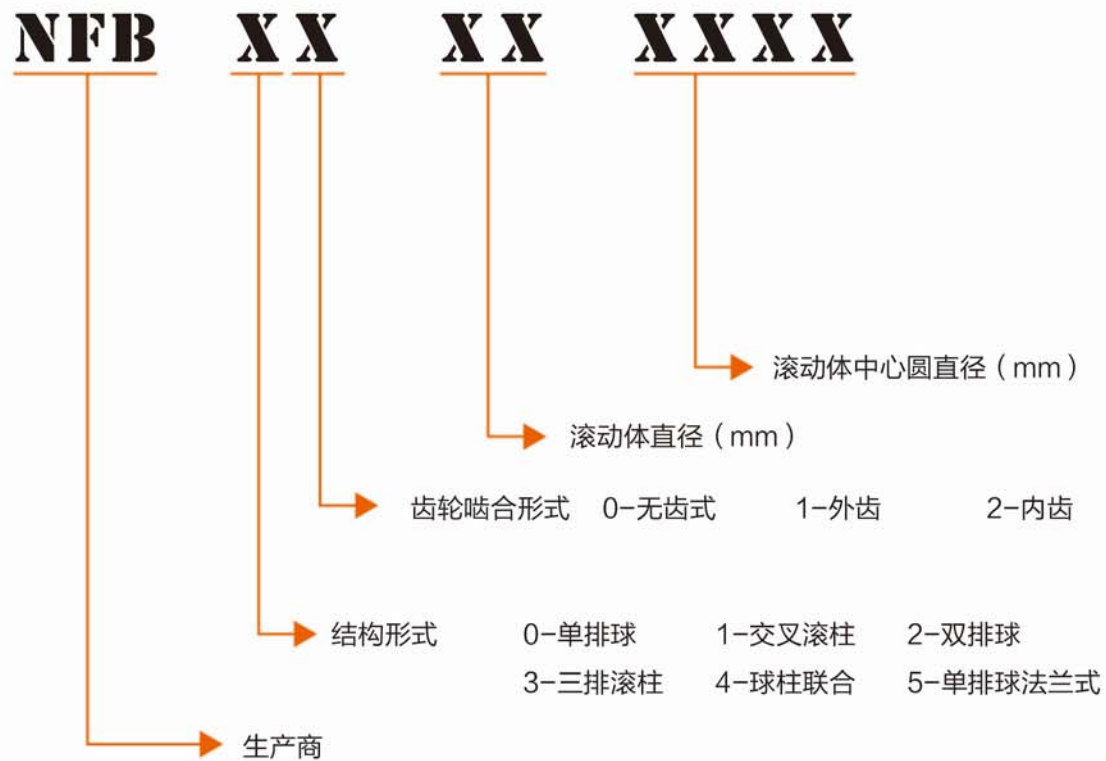
10

MOUNTING HOLES

The ideal hole pattern for attaching both rings of the slewing ring is a full circle of uniformly spaced through holes. It is recognized, however, that the equipment designer cannot always accommodate this type of arrangement and may require tapped holes and even special bolt patterns in one or both rings for assembly and maintenance reasons.

回转支承型号表示方法

以滚动体中心圆直径、滚动体直径、齿轮形式等内容来表示轴承型号的方法：



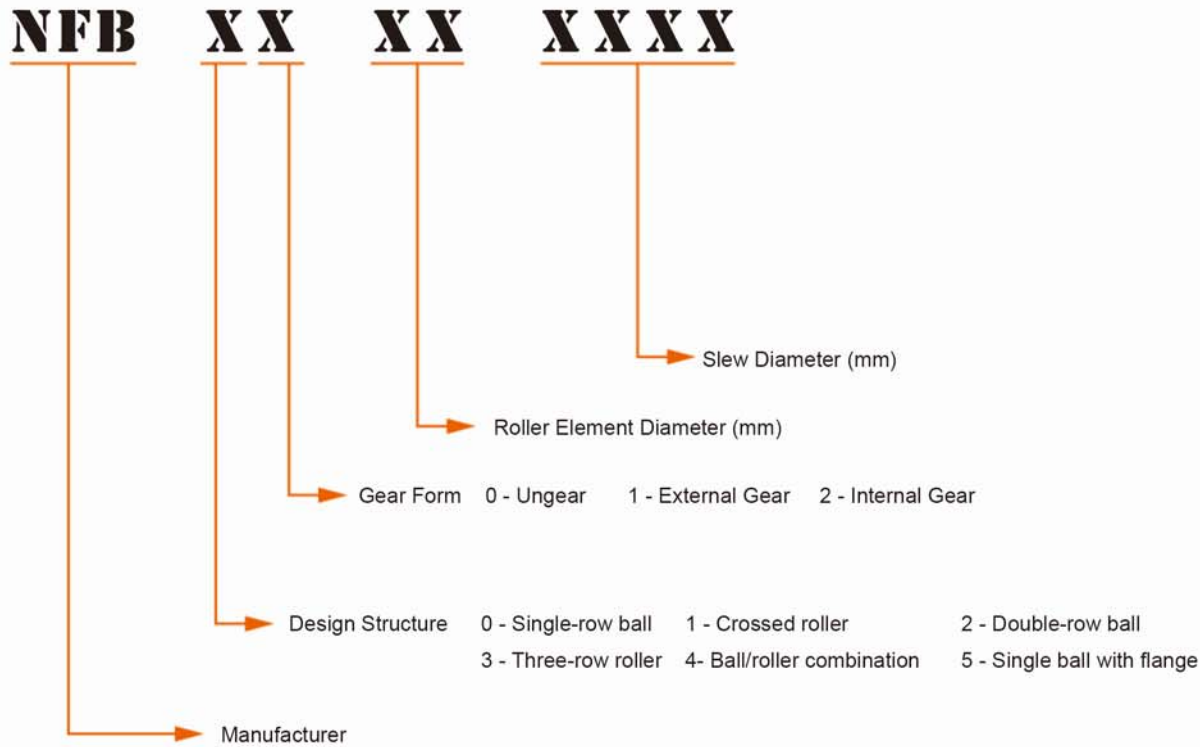
如：NFB 51.20.0755即表示滚动体中心圆直径为755mm，球直径为20mm的外齿带法兰四点球式轴承

符号和解释

符号	解释	单位
Da	外圈外径 (含法兰)	mm
Di	内圈内径	mm
H	轴承总高	mm
h, h1, h2	单圈高	mm
b	法兰高	mm
B	外圈外径 (不含法兰)	mm
U	外圈内径	mm
C	内圈外径	mm
D	内圈内径 (不含法兰)	mm
La	外圈螺栓孔直径	mm
na	外圈螺栓孔数	mm
Li	内圈螺栓孔直径	mm
ni	内圈螺栓孔数	mm
dB	安装孔直径	mm
Hb	螺纹长度	mm
Do	分度圆直径	mm
α	压力角	°
M	模数	--
z	齿数	--

SLEWING RING DESIGNATION

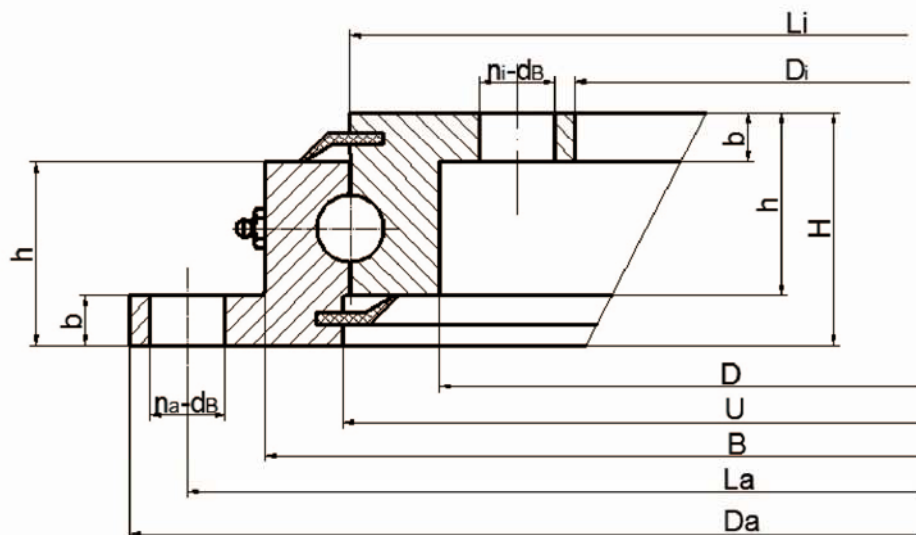
The drawing number contains a description of slewing diameter, roller diameter, gear form and so on.



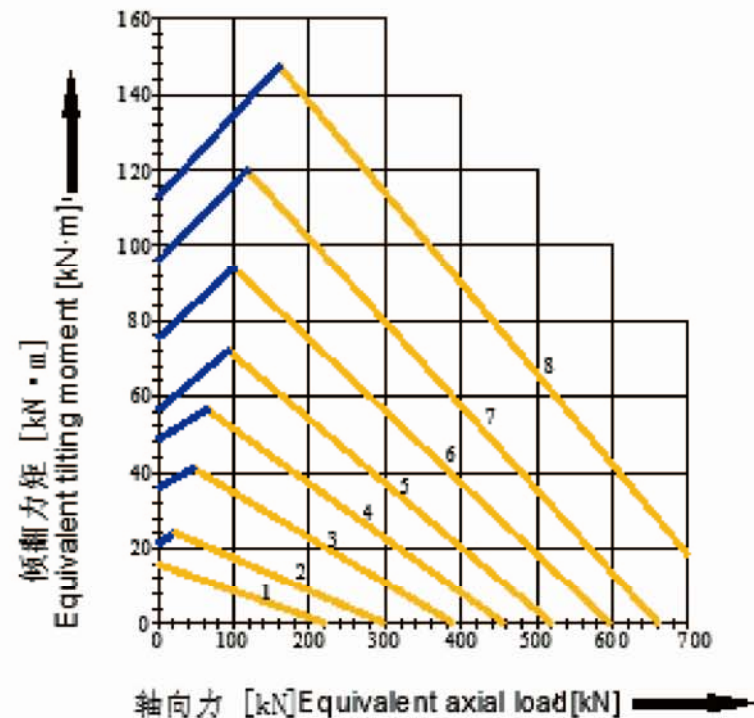
For Example: NFB 51.20.0755 symbolizes a flanged ball slewing ring with external gear, slewing diameter is 755 and ball diameter is 20mm.

SYMBOL & EXPLANATION

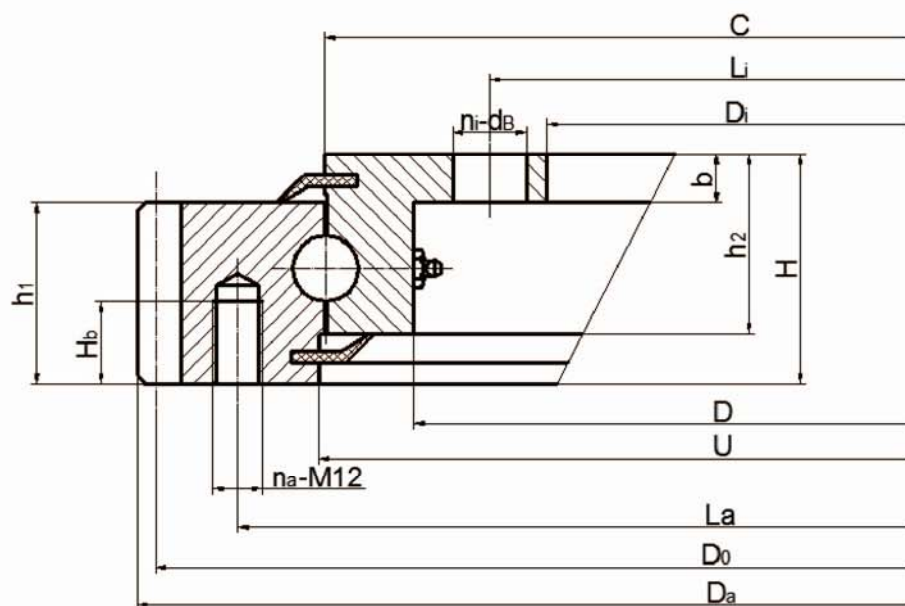
SYMBOL	EXPLANATION	UNITS
Da	Outside diameter of outer ring	mm
Di	Inside diameter of inner ring	mm
H	Height of overall bearing assembly	mm
h, h1, h2	Height of ring	mm
b	Height of flange	mm
B	External diameter on outer ring	mm
U	Inside diameter of outer ring	mm
C	Outside diameter of inner ring	mm
D	Internal diameter on outer ring	mm
La	Bolt circle on outer ring	mm
na	Number holes in outer ring	mm
Li	Bolt circle on inner ring	mm
ni	Number holes in inner ring	mm
dB	Mounting holes diameter	mm
Hb	Thread depth	mm
Do	Pitch diameter	mm
α	Pressure angle	°
M	Module	--
z	Number of teeth	--



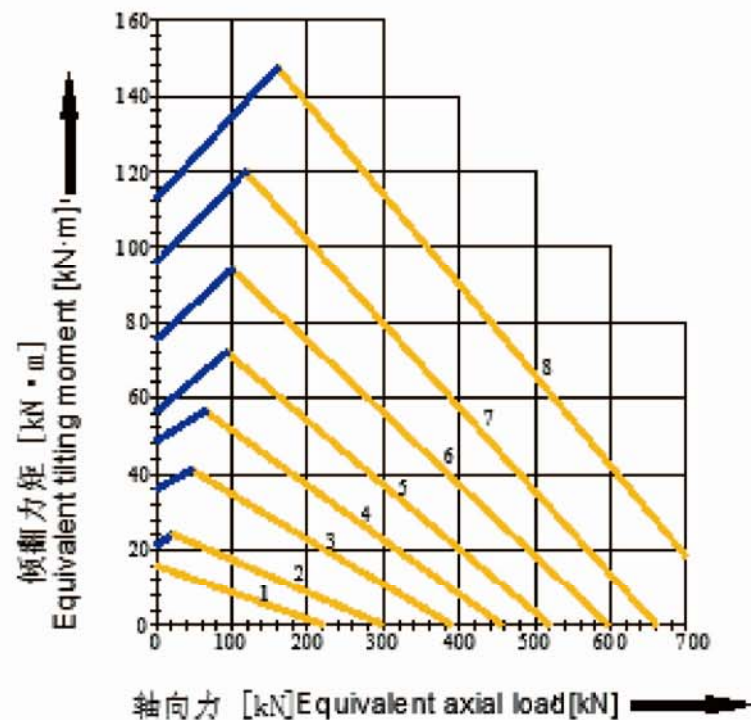
— 10.9 螺栓曲线
 Bolt curve R_{p0.2}
 Bolt curve 10.9
— 滚道曲线
 Raceway curve



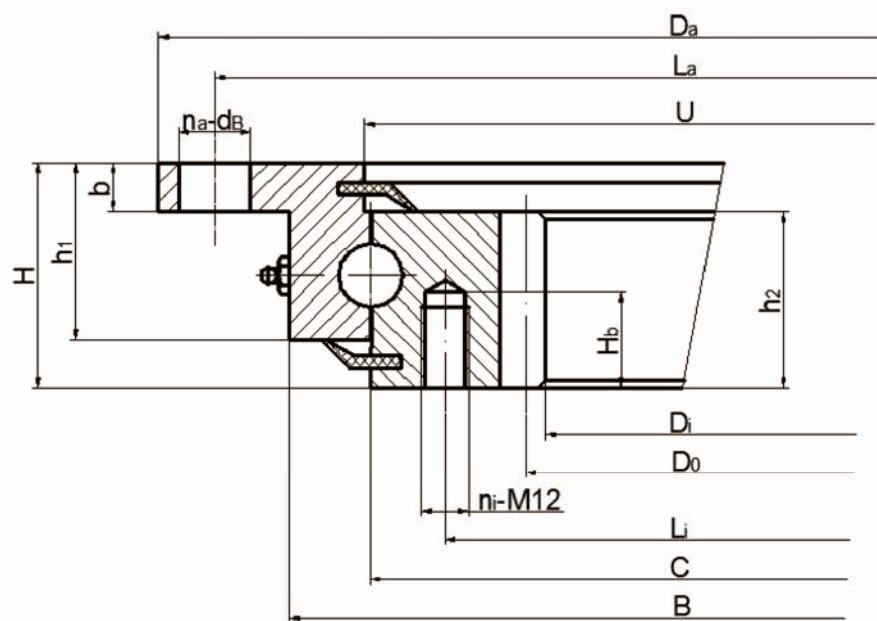
型号 TYPE	外形尺寸 DIMENSION (mm)									安装尺寸 MOUNTING DIMENSION (mm)					重量 WEIGHT (kg)
	Da	Di	H	h	U	C	B	D	b	La	na	Li	ni	dB	
NFB 50.20. 0314	418	204	56	44	314.5	312.5	353	269	12	390	8	232	12	18	19
NFB 50.20. 0414	518	304	56	44	414.5	412.5	453	369	12	490	8	332	12	18	25
NFB 50.20. 0544	648	434	56	44	545.5	542.5	583	499	12	620	10	462	14	18	33
NFB 50.20. 0644	748	534	56	44	645.5	642.5	683	599	12	720	12	562	16	18	40
NFB 50.20. 0744	848	634	56	44	745.5	742.5	783	699	12	820	12	662	16	18	46
NFB 50.20. 0844	948	734	56	44	845.5	842.5	883	799	12	920	14	762	18	18	52
NFB 50.20. 0944	1048	834	56	44	945.5	942.5	983	899	12	1020	16	862	20	18	58
NFB 50.20. 1044	1198	984	56	44	1095.5	1092.5	1133	1049	12	1170	16	1012	20	18	68



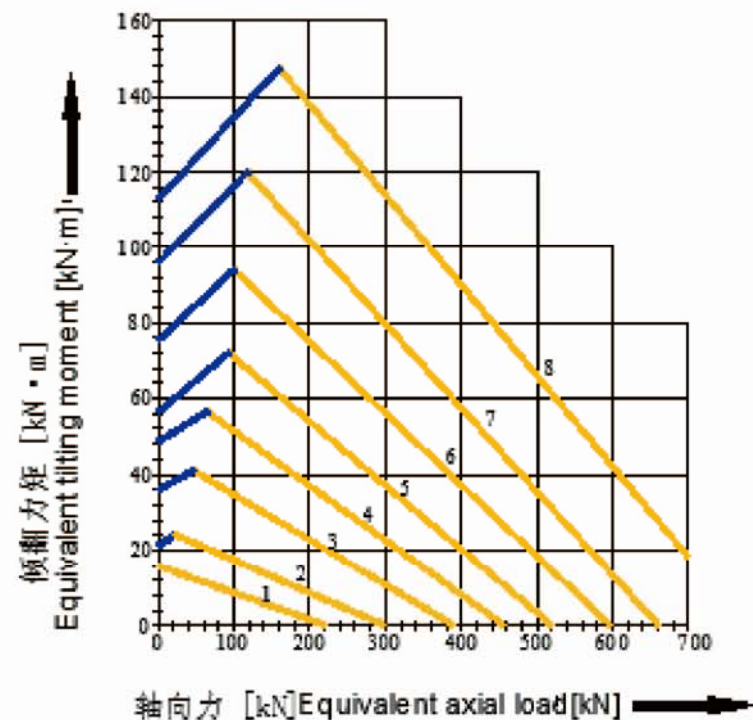
— 10.9 螺栓曲线
 Bolt curve $R_{p0.2}$
 Bolt curve 10.9
— 滚道曲线
 Raceway curve



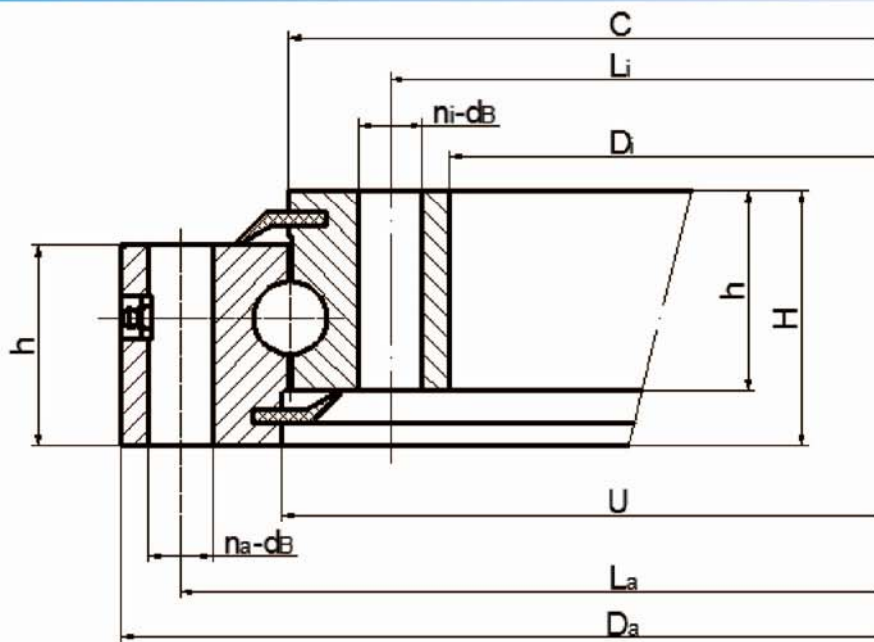
型号 TYPE	外形尺寸 DIMENSION (mm)								安装尺寸 MOUNTING DIMENSION (mm)						齿参数 GEAR DATA			重量 WEIGHT (kg)
	Da	Di	H	h1/h2	U	C	B	b	La	na	Li	ni	dB	Hb	Do	m	Z	
NFB 51.20.0314	404	204	56	44	314.5	312.5	269	12	355	10	232	12	18	20	395	5	79	23
NFB 51.20.0414	504	304	56	44	414.5	412.5	369	12	495	10	332	12	18	20	495	5	99	30
NFB 51.20.0544	640.8	434	56	44	545.5	542.5	499	12	630	14	462	14	18	20	630	6	105	42
NFB 51.20.0644	742.8	534	56	44	645.5	642.5	599	12	732	16	562	16	18	20	732	6	122	53
NFB 51.20.0744	838.8	634	56	44	745.5	742.5	699	12	828	16	662	16	18	20	878	6	138	56
NFB 51.20.0844	950.4	734	56	44	845.5	842.5	799	12	936	18	762	18	18	20	936	8	117	68
NFB 51.20.0944	1046.4	834	56	44	945.5	942.5	899	12	1032	20	862	20	18	20	1032	8	129	75
NFB 51.20.1094	1198.4	984	56	44	1095.5	1092.5	1049	12	1184	20	1012	20	18	20	1184	8	148	87



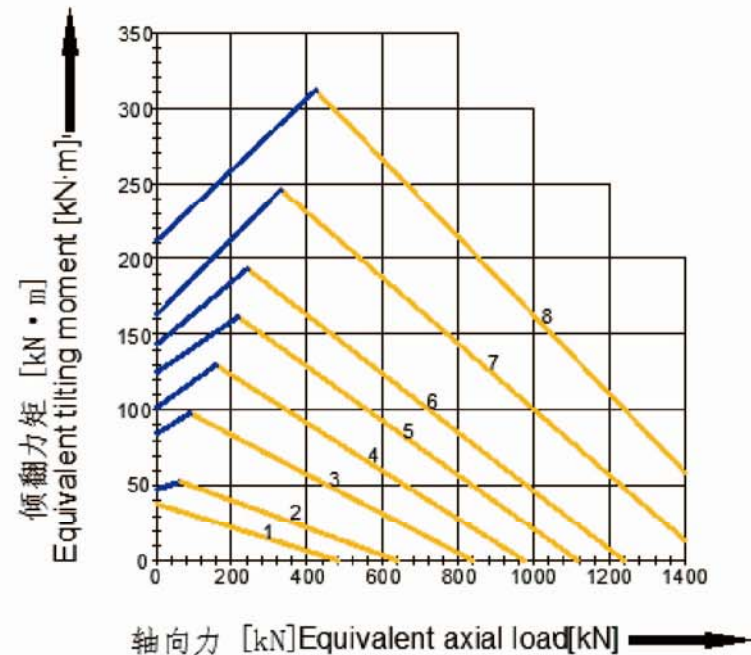
— 10.9 螺栓曲线
 Bolt curve $R_{p0.2}$
 Bolt curve 10.9
— 滚道曲线
 Raceway curve



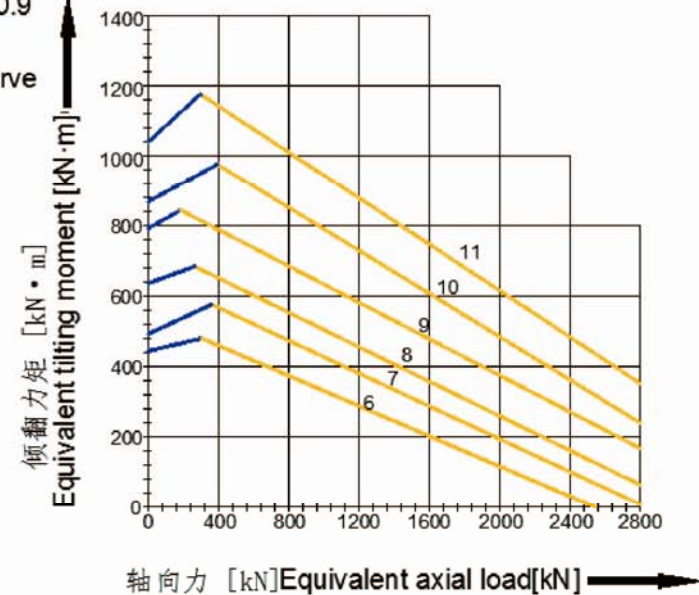
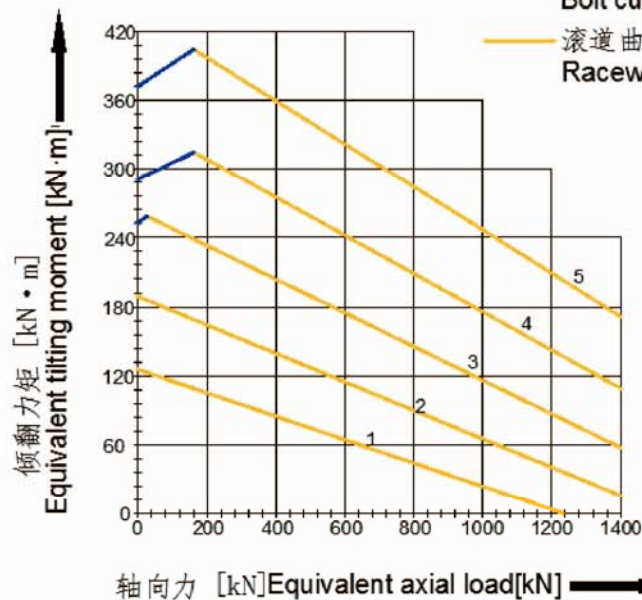
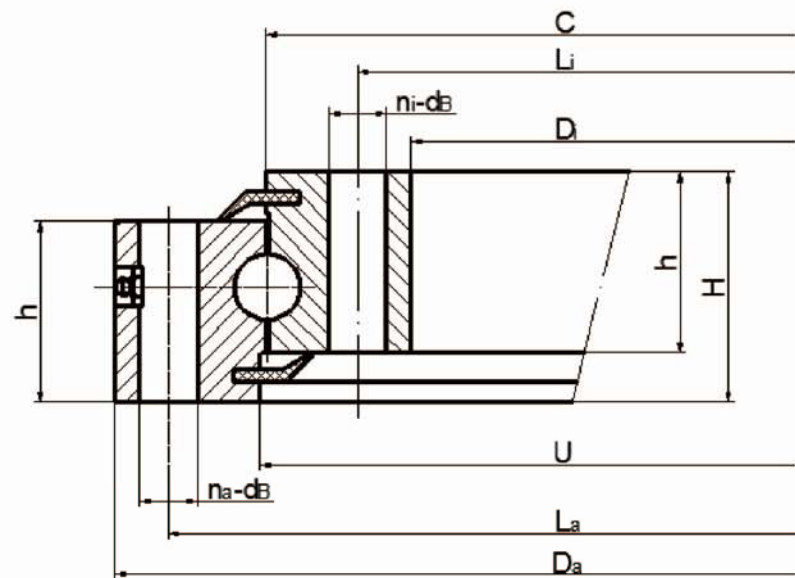
型号 TYPE	外形尺寸 DIMENSION (mm)								安装尺寸 MOUNTING DIMENSION (mm)					齿参数 GEAR DATA			重量 WEIGHT (kg)
	Da	Di	H	H1/h2	U	C	B	b	La	na	Li	ni	dB	Do	m	Z	
NFB 52.20.0314	418	225	56	44	314.5	312.5	353	12	390	8	275	12	18	235	5	47	21
NFB 52.20.0414	518	325	56	44	414.5	412.5	453	12	490	8	375	12	18	335	5	67	28
NFB 52.20.0544	648	444	56	44	545.5	542.5	583	12	620	10	505	16	18	456	6	76	39
NFB 52.20.0644	748	546	56	44	645.5	642.5	683	12	720	12	605	18	18	558	6	93	46
NFB 52.20.0744	848	648	56	44	745.5	742.5	783	12	820	12	705	20	18	660	6	110	52
NFB 52.20.0844	948	948	56	44	845.5	842.5	883	12	920	14	805	20	18	752	8	94	63
NFB 52.20.0944	1048	1098	56	44	945.5	942.5	983	12	1020	16	905	22	18	856	8	107	69
NFB 52.20.1044	1198	1198	56	44	1095.5	1092.5	1133	12	1170	16	1055	24	18	1000	8	125	83



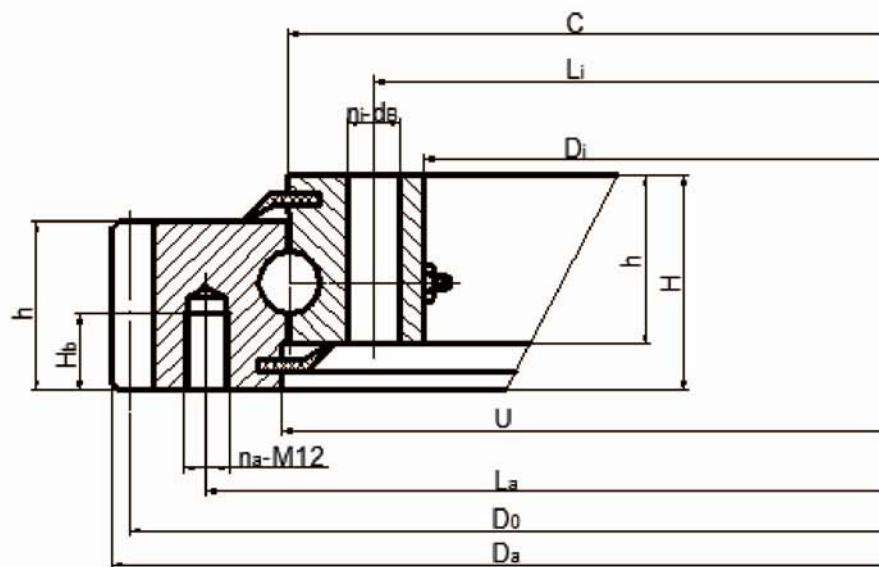
— 10.9螺栓曲线
Bolt curve $R_{p0.2}$
Bolt curve 10.9
— 滚道曲线
Raceway curve



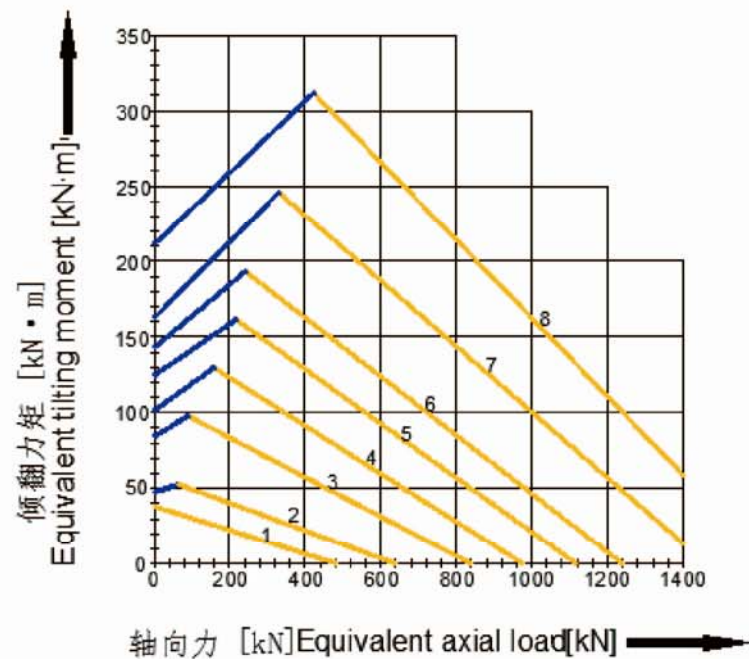
型号 TYPE	外形尺寸 DIMENSION (mm)						安装尺寸 MOUNTING DIMENSION (mm)					重量 WEIGHT (kg)
	Da	Di	H	h	U	C	La	na	Li	ni	dB	
NFB 00.20.0311	386	242	56	44	314.5	312.5	360	20	268	20	14	21
NFB 00.20.0411	486	342	56	44	414.5	412.5	460	24	368	24	14	29
NFB 00.20.0541	616	472	56	44	545.5	542.5	590	32	498	32	14	37
NFB 00.20.0641	7716	572	56	44	645.5	642.5	690	36	598	36	14	44
NFB 00.20.0741	816	672	56	44	745.5	742.5	790	40	698	40	14	52
NFB 00.20.0841	916	772	56	44	845.5	842.5	890	40	798	40	14	59
NFB 00.20.0941	1016	872	56	44	945.5	942.5	990	44	898	44	14	66
NFB 00.20.1091	1166	1022	56	44	1095.5	1092.5	1140	48	1048	48	14	77



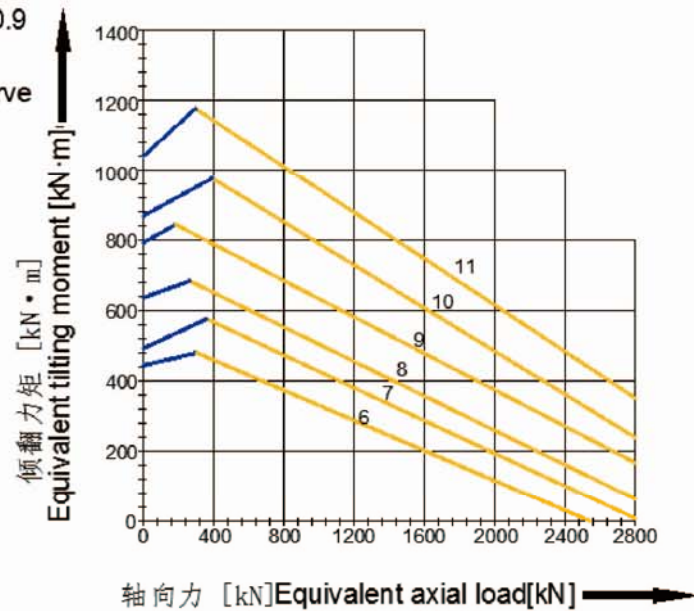
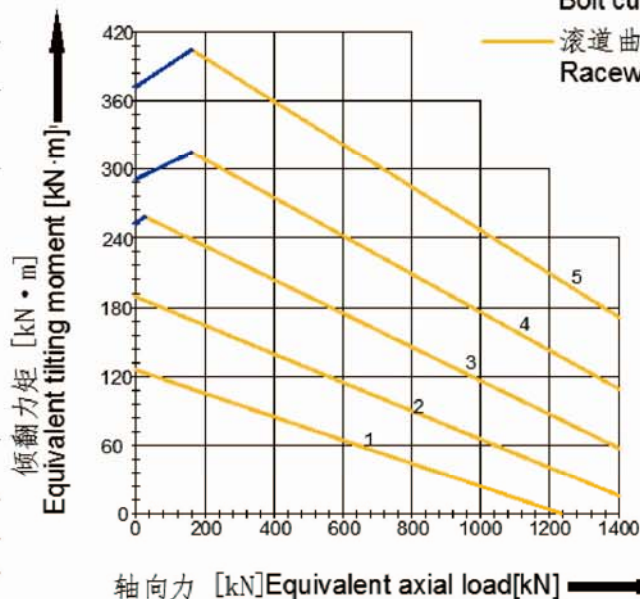
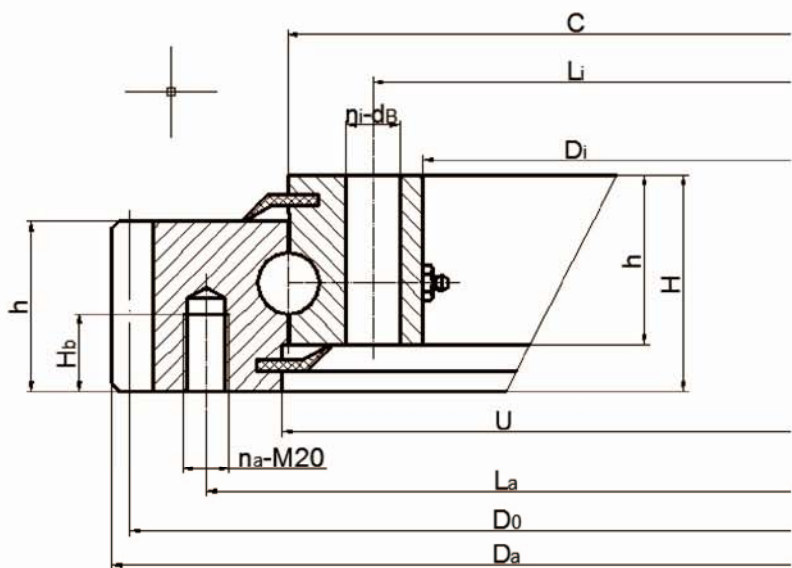
型号 TYPE	外形尺寸 DIMENSION (mm)						安装尺寸 MOUNTING DIMENSION (mm)					重量 WEIGHT (kg)
	Da	Di	H	h	U	C	La	na	Li	ni	dB	
NFB 00.25.0455	555	355	63	54	457	453	515	18	395	18	22	53
NFB 00.25.0555	655	455	63	54	557	553	615	20	495	20	22	65
NFB 00.25.0655	755	555	63	54	657	653	715	24	595	24	22	79
NFB 00.25.0755	855	655	63	54	757	753	815	24	695	24	22	90
NFB 00.25.0855	955	755	63	54	857	853	915	28	795	28	22	101
NFB 00.25.0955	1055	855	63	54	957	953	1015	30	895	30	22	115
NFB 00.25.1055	1155	955	63	54	1057	1053	1115	30	995	30	22	128
NFB 00.25.1155	1255	1055	63	54	1157	1153	1215	36	1095	36	22	139
NFB 00.25.1255	1355	1155	63	54	1257	1253	1315	42	1195	42	22	150
NFB 00.25.1355	1455	1255	63	54	1357	1353	1415	42	1295	42	22	163
NFB 00.25.1455	1555	1355	63	54	1457	1453	1515	48	1395	48	22	174



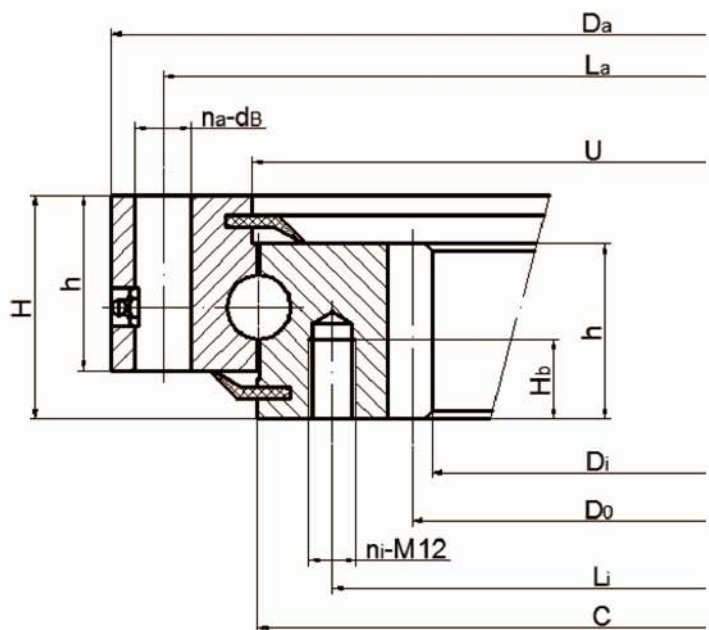
— 10.9 螺栓曲线
Bolt curve $R_{p0.2}$
Bolt curve 10.9
— 滚道曲线
Raceway curve



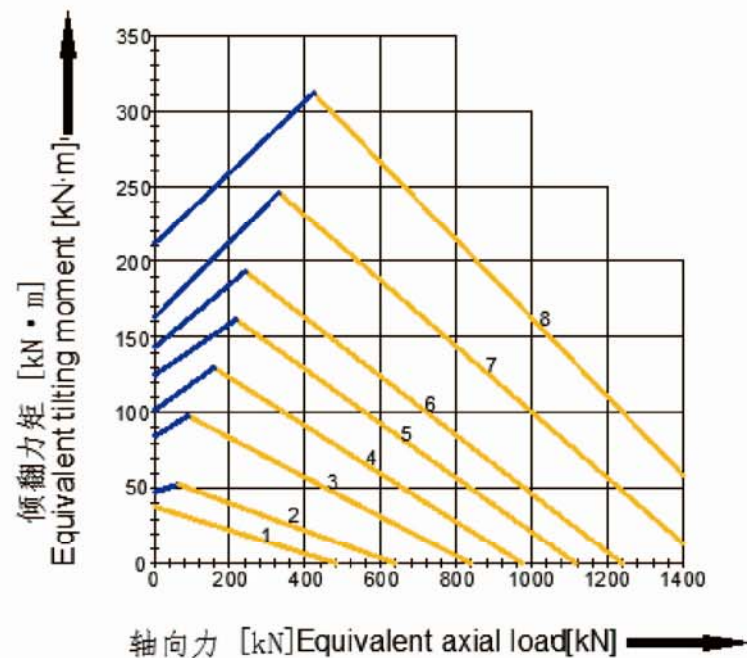
型号 TYPE	外形尺寸 DIMENSION (mm)						安装尺寸 MOUNTING DIMENSION (mm)						齿参数 GEAR DATA			重量 WEIGHT (kg)
	Da	Di	H	h	U	C	La	na	Li	ni	dB	Hb	Do	m	z	
NFB 01.20.0311	404	242	56	44	314.5	312.5	355	20	268	20	14	20	395	5	79	23
NFB 01.20.0411	504	342	56	44	414.5	412.5	455	20	368	24	14	20	495	5	99	32
NFB 01.20.0541	640.8	472	56	44	545.5	542.5	585	28	498	32	14	20	630	6	105	43
NFB 01.20.0641	742.8	572	56	44	645.5	642.5	685	32	598	36	14	20	732	6	122	52
NFB 01.20.0741	838.8	672	56	44	745.5	742.5	785	36	698	40	14	20	878	6	138	58
NFB 01.20.0841	950.4	772	56	44	845.5	842.5	885	36	798	40	14	20	936	8	117	71
NFB 01.20.0941	1046.4	872	56	44	945.5	942.5	985	40	898	44	14	20	1032	8	129	77
NFB 01.20.1091	1198.4	1022	56	44	1095.5	1092.5	1135	44	1048	48	14	20	1184	8	148	90



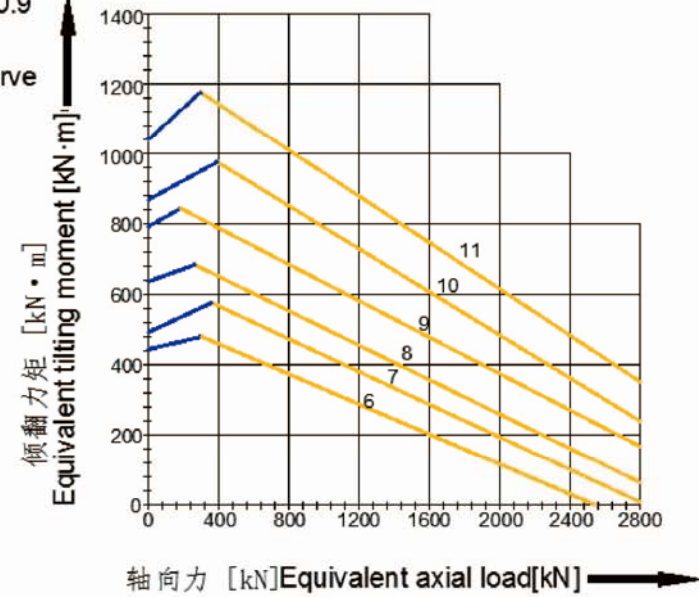
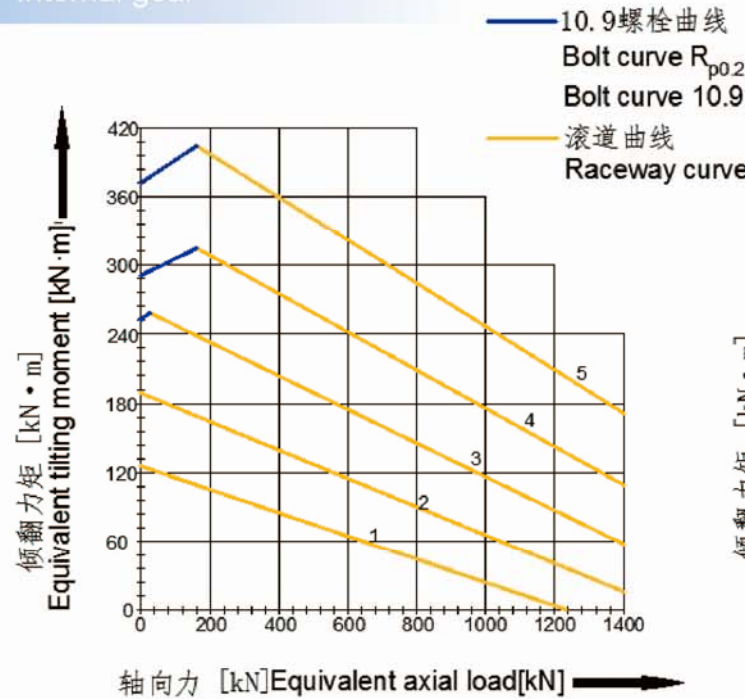
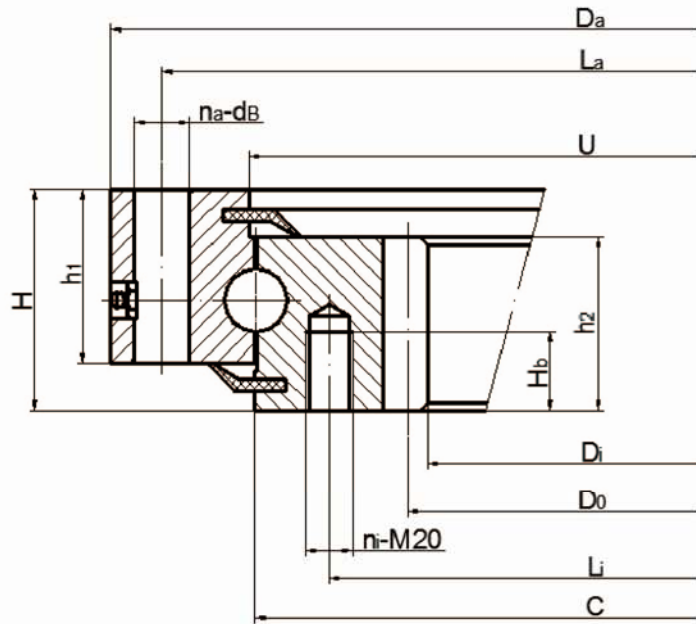
型号 TYPE	外形尺寸 DIMENSION (mm)							安装尺寸 MOUNTING DIMENSION (mm)						齿参数 GEAR DATA			重量 WEIGHT (kg)
	Da	Di	H	h1	h2	U	C	La	na	Li	ni	dB	Hb	Do	m	z	
NFB 01.25.0455	590.4	355	80	71	54	457	453	516	18	395	18	22	40	576	8	72	74
NFB 01.25.0555	694.4	455	80	71	54	557	553	616	20	495	20	22	40	680	8	85	93
NFB 01.25.0655	798.4	555	80	71	54	657	653	716	24	595	24	22	40	784	8	98	111
NFB 01.25.0755	898	655	80	71	54	757	753	816	24	695	24	22	40	882	9	98	125
NFB 01.25.0855	997	755	80	71	54	857	853	916	28	795	28	22	40	981	9	109	145
NFB 01.25.0955	1096	855	80	71	54	957	953	1016	30	895	30	22	40	1080	9	120	155
NFB 01.25.1055	1198	955	80	71	54	1057	1053	1116	30	995	30	22	40	1180	10	118	171
NFB 01.25.1155	1298	1055	80	71	54	1157	1153	1216	36	1095	36	22	40	1280	10	128	186
NFB 01.25.1255	1398	1155	80	71	54	1257	1253	1316	42	1195	42	22	40	1380	10	138	201
NFB 01.25.1355	1498	1255	80	71	54	1357	1353	1416	42	1295	42	22	40	1480	10	148	218
NFB 01.25.1455	1598	1355	80	71	54	1457	1453	1516	48	1395	48	22	40	1580	10	458	233



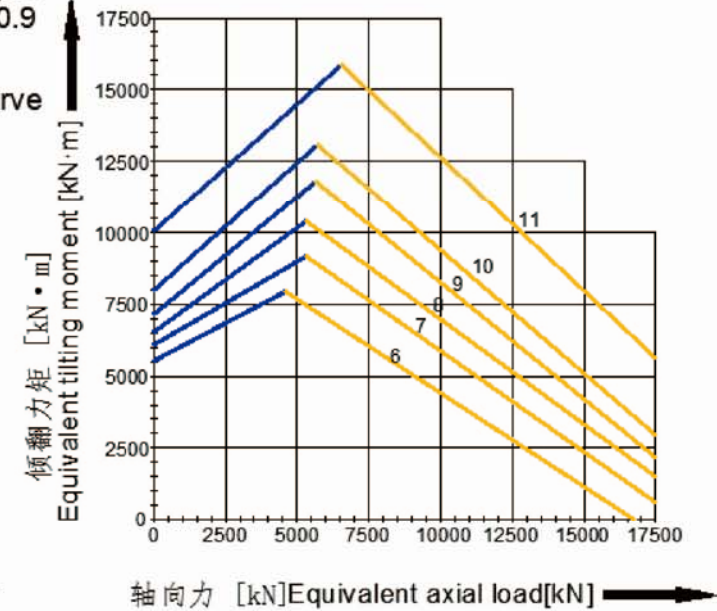
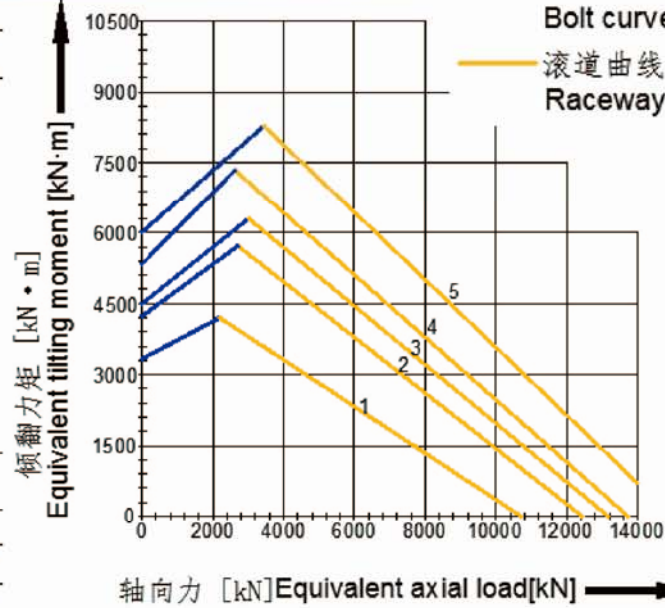
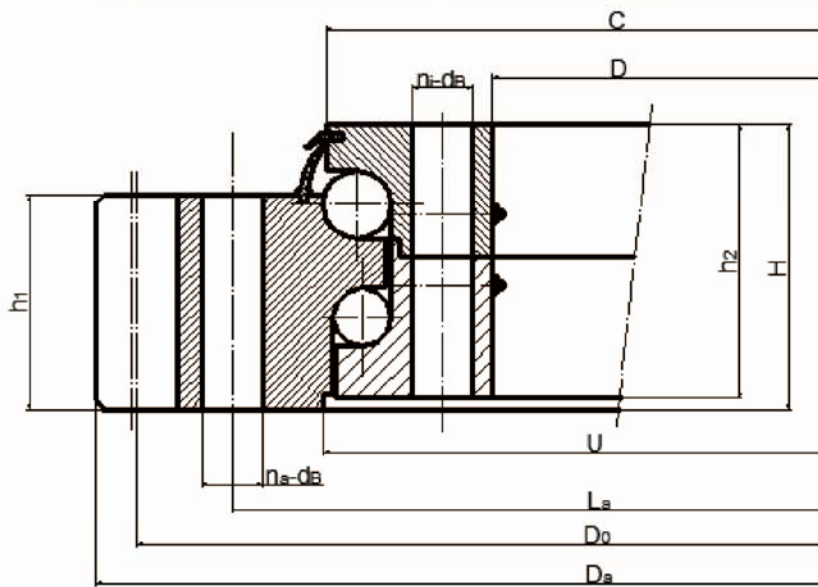
— 10.9 螺栓曲线
Bolt curve $R_{p0.2}$
Bolt curve 10.9
— 滚道曲线
Raceway curve



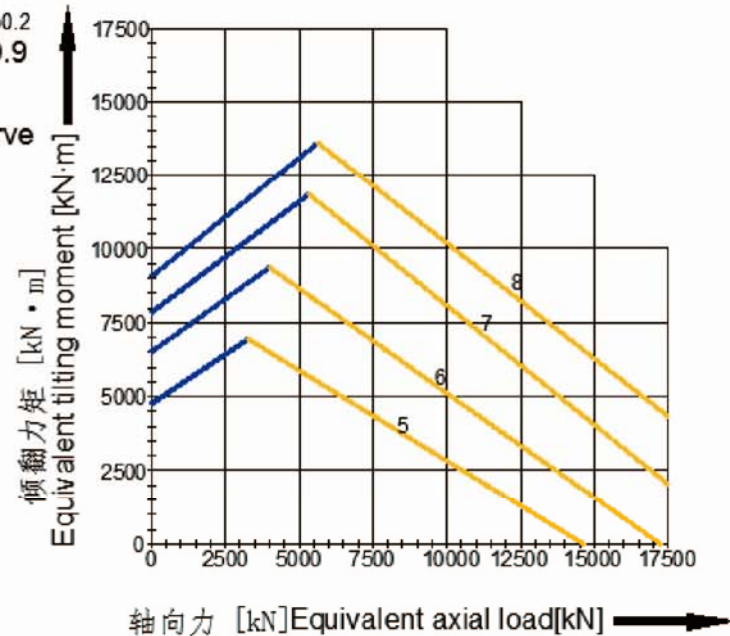
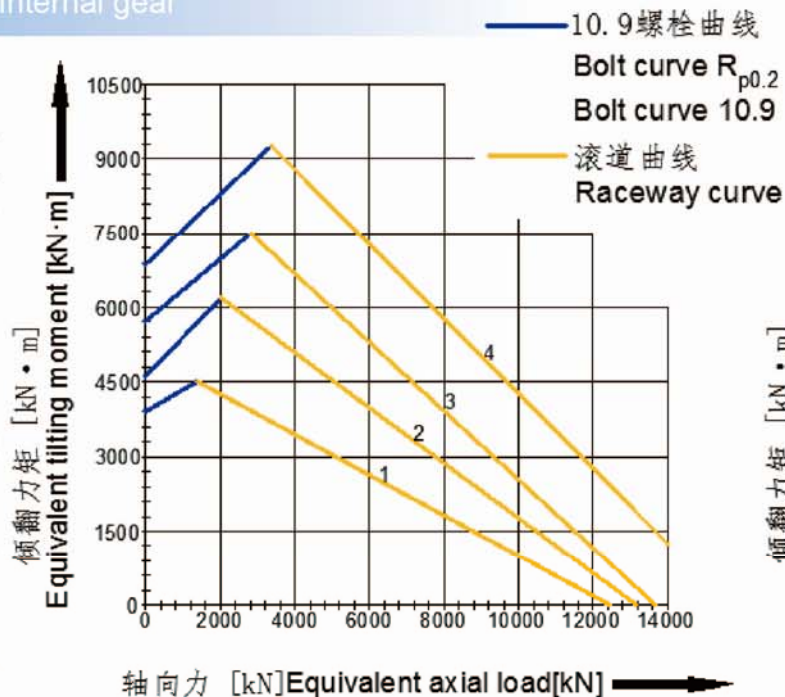
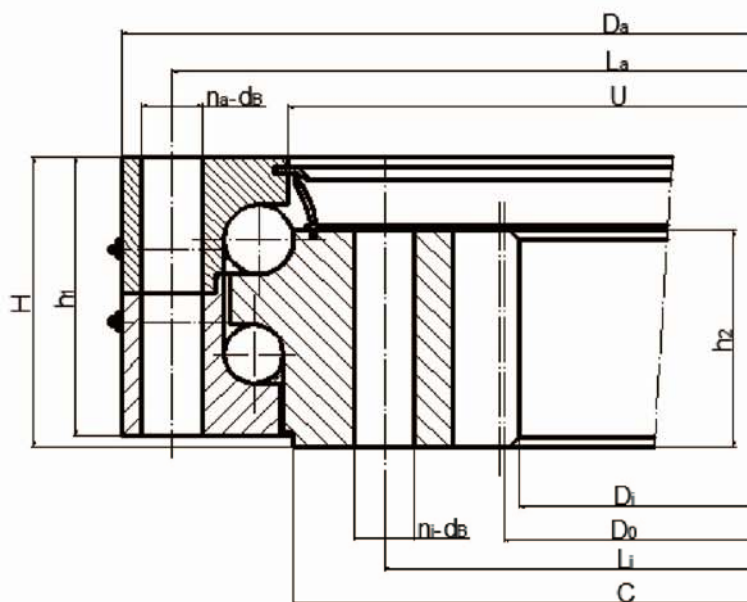
型号 TYPE	外形尺寸 DIMENSION (mm)						安装尺寸 MOUNTING DIMENSION (mm)						齿参数 GEAR DATA			重量 WEIGHT (kg)
	Da	Di	H	h	U	C	La	na	Li	ni	dB	Hb	Do	m	z	
NFB 02.20.0311	386	225	56	44	314.5	312.5	360	20	275	24	14	20	235	5	79	22
NFB 02.20.0411	486	325	56	44	414.5	412.5	460	24	375	24	14	20	335	5	99	31
NFB 02.20.0541	616	444	56	44	545.5	542.5	590	32	505	32	14	20	456	6	105	43
NFB 02.20.0641	7716	546	56	44	645.5	642.5	690	36	605	36	14	20	558	6	122	50
NFB 02.20.0741	816	648	56	44	745.5	742.5	790	40	705	40	14	20	660	6	138	57
NFB 02.20.0841	916	736	56	44	845.5	842.5	890	40	805	40	14	20	752	8	117	69
NFB 02.20.0941	1016	840	56	44	945.5	942.5	990	44	905	44	14	20	856	8	129	75
NFB 02.20.1091	1166	984	56	44	1095.5	1092.5	1140	48	1055	48	14	20	1000	8	148	91



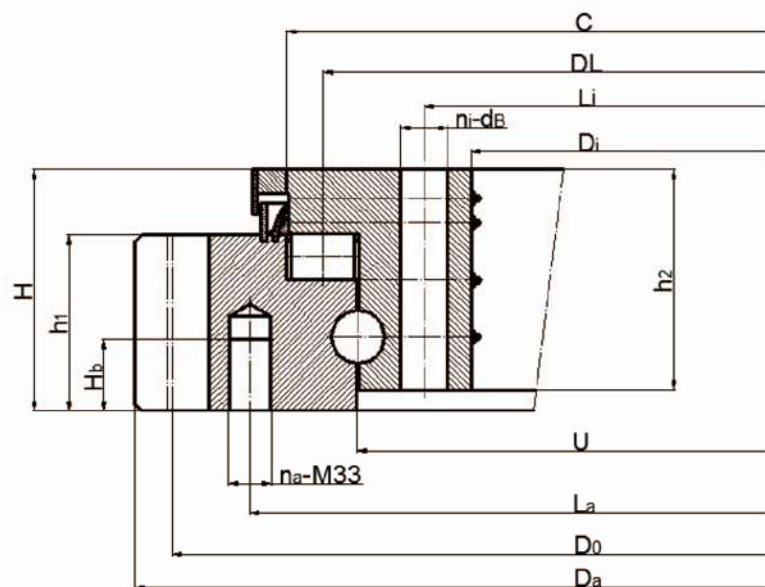
型号 TYPE	外形尺寸 DIMENSION (mm)							安装尺寸 MOUNTING DIMENSION (mm)						齿参数 GEAR DATA			重量 WEIGHT (kg)
	Da	Di	H	h1	h2	U	C	La	na	Li	ni	dB	Hb	Do	m	z	
NFB 02.25.0455	555	304	80	54	71	457	453	515	18	394	18	22	40	320	8	40	64
NFB 02.25.0555	655	416	80	54	71	557	553	615	20	494	20	22	40	432	8	54	76
NFB 02.25.0655	755	512	80	54	71	657	653	715	24	594	24	22	40	428	8	66	102
NFB 02.25.0755	855	610	80	54	71	757	753	815	24	694	24	22	40	630	10	63	119
NFB 02.25.0855	955	710	80	54	71	857	853	915	28	794	28	22	40	730	10	73	137
NFB 02.25.0955	1055	810	80	54	71	957	953	1015	30	894	30	22	40	830	10	83	149
NFB 02.25.1055	1155	910	80	54	71	1057	1053	1115	30	994	30	22	40	930	10	93	165
NFB 02.25.1155	1255	1010	80	54	71	1157	1153	1215	36	1094	36	22	40	1030	10	103	180
NFB 02.25.1255	1355	1110	80	54	71	1257	1253	1315	42	1194	42	22	40	1130	10	113	195
NFB 02.25.1355	1455	1210	80	54	71	1357	1353	1415	42	1294	42	22	40	1230	10	123	212
NFB 02.25.1455	1555	1310	80	54	71	1457	1453	1515	48	1394	48	22	40	1330	10	133	227



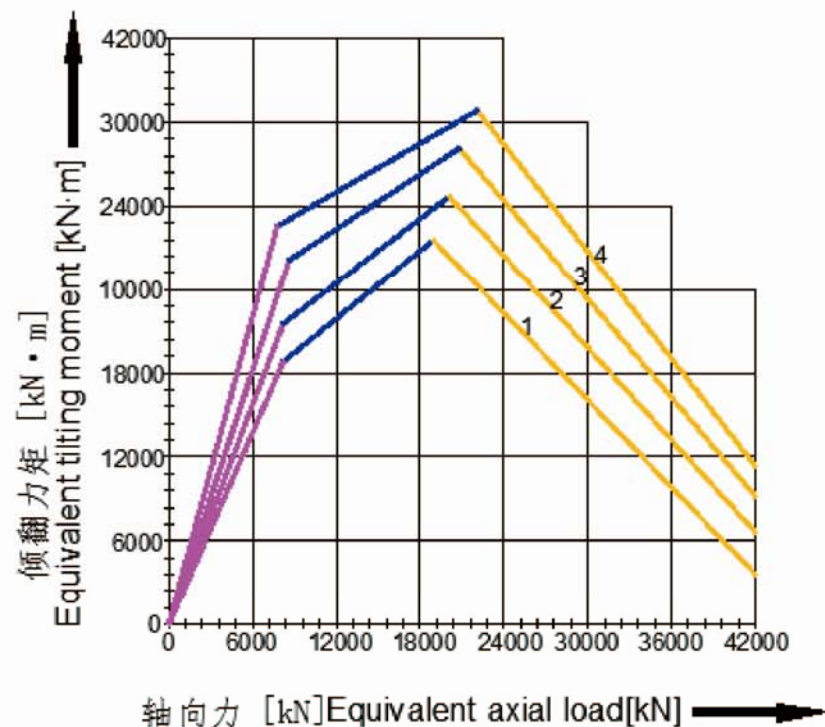
型号 TYPE	外形尺寸 DIMENSION (mm)							安装尺寸 MOUNTING DIMENSION (mm)					齿参数 GEAR DATA			重量 WEIGHT (kg)
	Da	Di	H	h1	h2	U	C	La	na	Li	ni	dB	Do	m	z	
NFB 21.40.2240	2524.8	2090	156	117	150	2275	2272	2375	48	2145	48	33	2480	16	155	1316
NFB 21.40.2619	2912.4	2465	156	117	150	2654	2651	2755	52	2520	52	33	2862	18	159	1615
NFB 21.40.2795	3096	2645	156	117	150	2830	2827	2930	54	2700	54	33	3040	20	152	1723
NFB 21.40.2915	3216	2765	156	117	150	2950	2947	3050	60	2820	60	33	3160	20	158	1790
NFB 21.40.3150	3456	3000	156	117	150	3185	3182	3285	60	3065	60	33	3400	20	170	1969
NFB 21.50.2987	3290.4	2820	185	138	178	3022	3025	3130	66	2880	66	33	3240	18	180	2288
NFB 21.50.3167	3470.4	3000	185	138	178	3202	3025	3310	66	3060	66	33	3420	18	190	2431
NFB 21.50.3347	3650.4	3180	185	138	178	3382	3385	3490	72	3240	72	33	3600	18	200	2566
NFB 21.50.3567	3866.4	3400	185	138	178	3602	3605	3710	78	3460	78	33	3816	18	212	2702
NFB 21.50.3747	4046.4	3580	185	138	178	3782	3785	3890	84	3640	84	33	3996	18	222	2837
NFB 21.50.4140	4456	3970	185	138	178	4175	4178	4285	90	4030	90	33	4400	20	220	3282



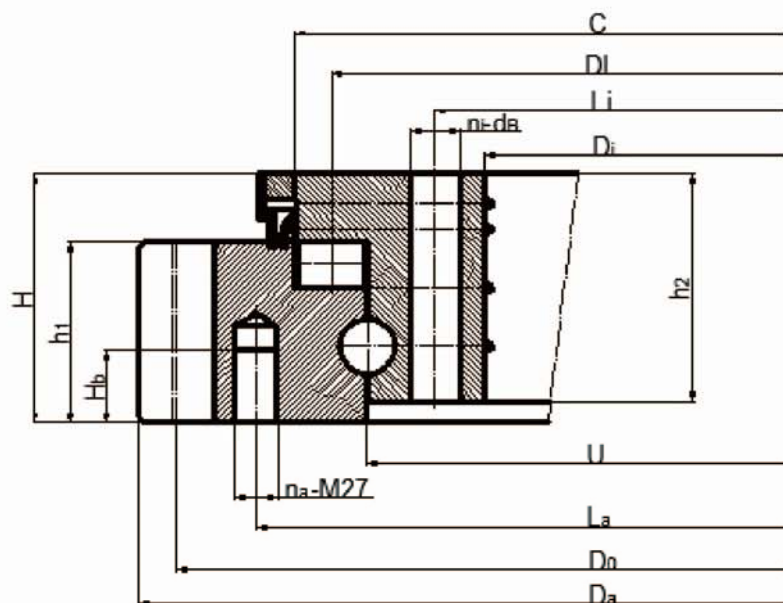
型号 TYPE	外形尺寸 DIMENSION (mm)							安装尺寸 MOUNTING DIMENSION (mm)					齿参数 GEAR DATA			重量 WEIGHT (kg)
	Da	Di	H	h1	h2	U	C	La	na	Li	ni	dB	Do	m	z	
NFB 22.40.2199	2350	1920	156	150	117	2168	2164	2295	52	2065	52	33	1936	16	121	1238
NFB 22.40.2622	2770	2336	156	150	117	2590	2587	2715	60	2485	60	33	2352	16	147	1495
NFB 22.40.2950	3100	2646	156	150	117	2918	2915	3045	60	2815	60	33	2664	18	148	1764
NFB 22.40.3300	3450	3006	156	150	117	3268	3265	3395	66	3165	66	33	3024	18	168	1935
NFB 22.50.2559	2725	2250	185	178	138	2522	2524	2670	60	2410	60	33	2268	18	126	1892
NFB 22.50.3040	3205	2720	185	178	138	3002	3005	3150	72	2890	72	33	2740	20	137	2295
NFB 22.50.3520	3685	3200	185	178	138	3482	3485	3630	78	3370	78	33	3220	20	161	2657
NFB 22.50.3839	4005	3520	185	178	138	3801	3804	3950	84	3690	84	33	3540	20	177	2905



— 10.9螺栓曲线
Bolt curve $R_{p0.2}$
Bolt curve 10.9
— 滚道曲线
Raceway curve

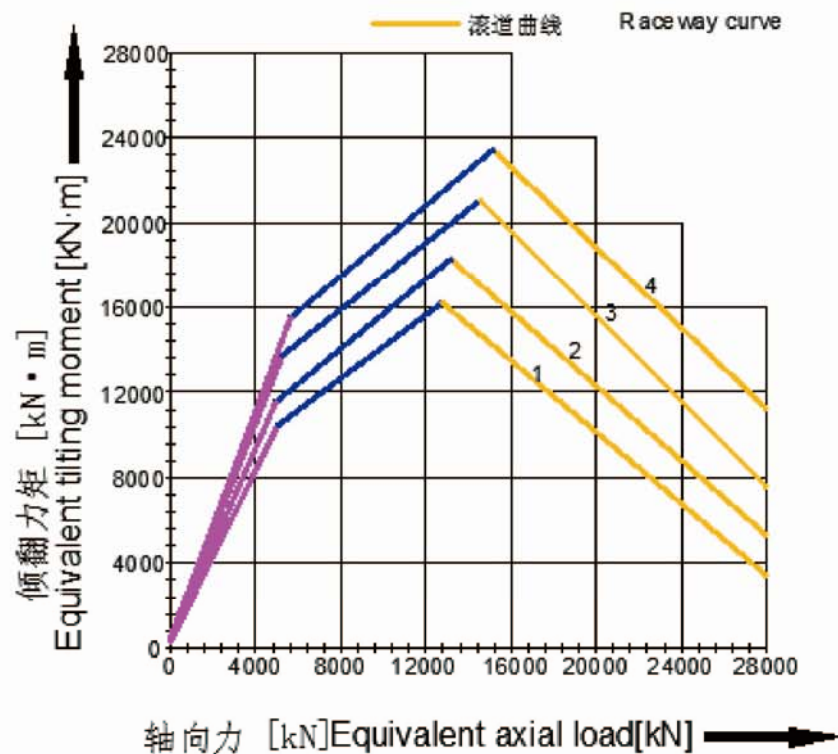


型号 TYPE	外形尺寸 DIMENSION (mm)							安装尺寸 MOUNTING DIMENSION (mm)						齿参数 GEAR DATA			重量 WEIGHT (kg)
	Da	Di	H	h1	h2	U	C	La	na	Li	ni	dB	HB	Do	m	z	
NFB 41.40.4250	4536	4026	183	133	167	4700	4306	4362	68	4098	68	36	54	4480	20	224	3469
NFB 41.40.4500	4776	4276	183	133	167	4450	4556	4612	72	4348	72	36	54	4720	20	236	3673
NFB 41.40.4750	5016	4526	183	133	167	4700	4806	4852	76	4598	76	36	54	4960	20	248	3796
NFB 41.40.4900	5176	4676	183	133	167	4850	4956	5012	80	4748	80	36	54	5120	20	256	4000



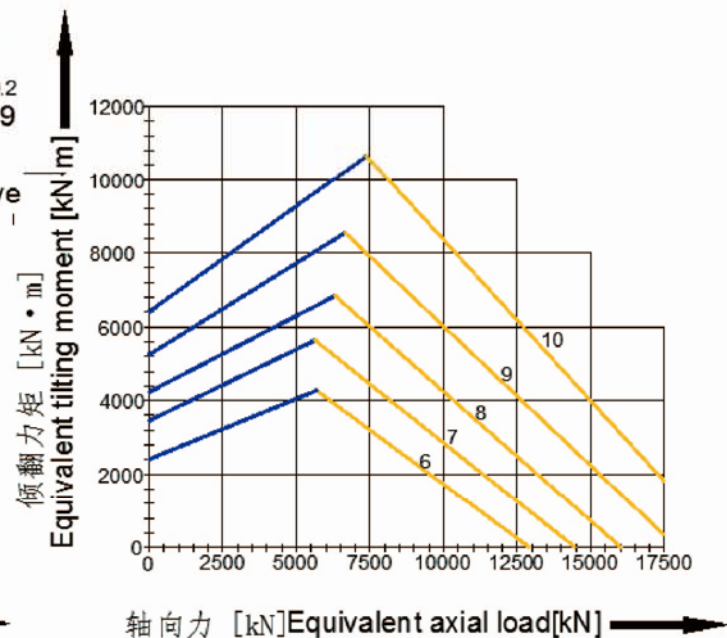
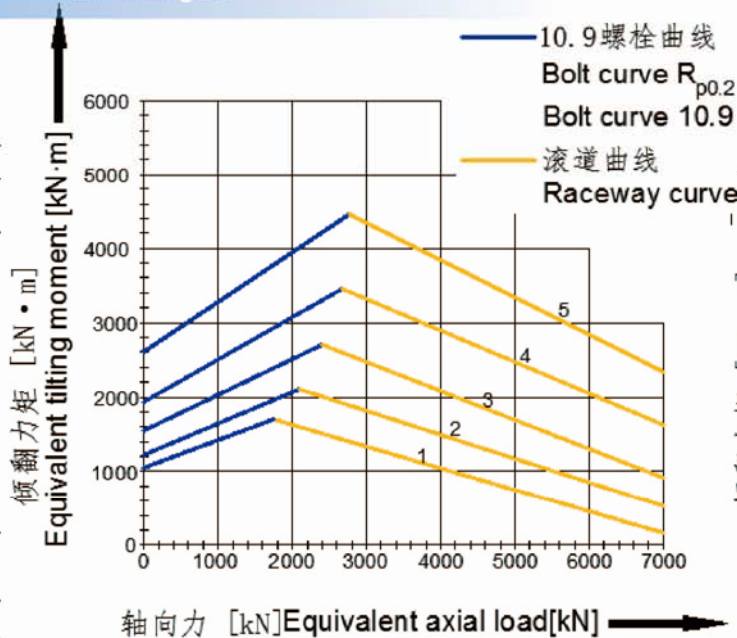
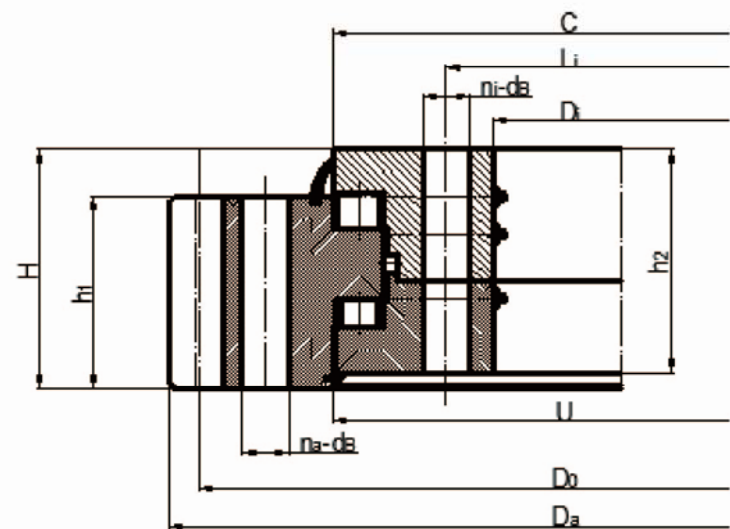
— 10.9 螺栓曲线
Bolt curve $R_{p0.2}$
Bolt curve 10.9

— 滚道曲线
Raceway curve

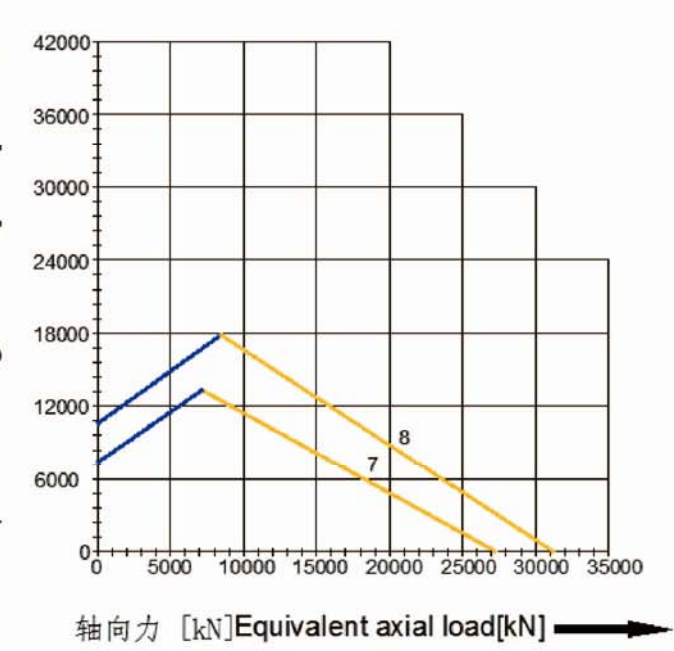
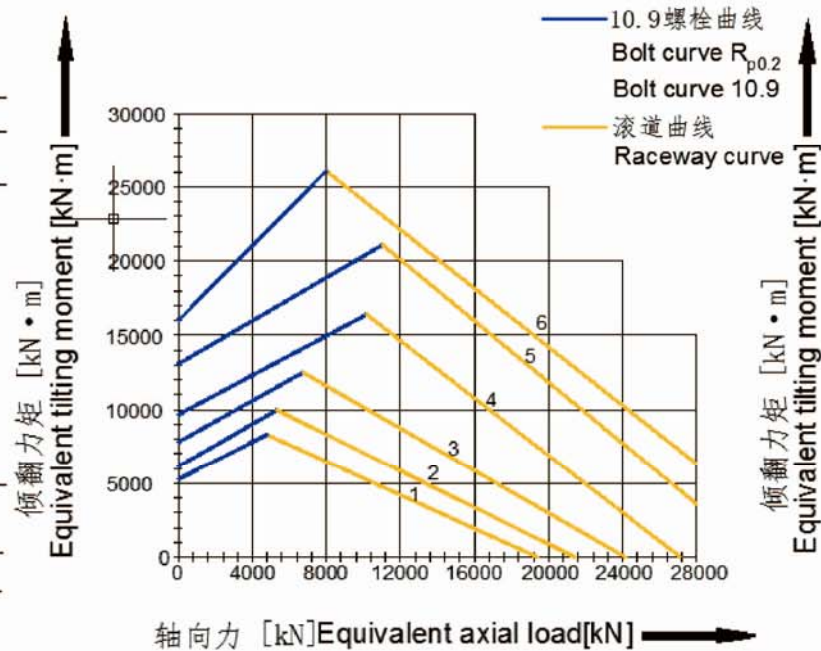
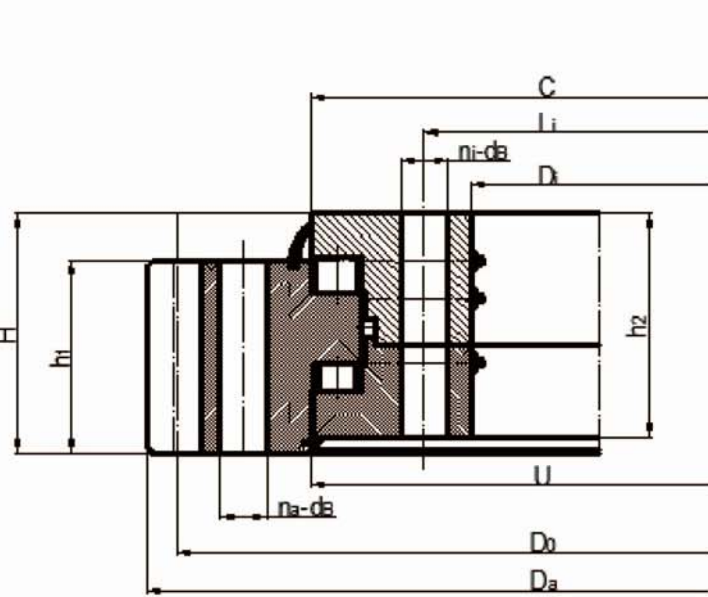


型号 TYPE	外形尺寸 DIMENSION (mm)							安装尺寸 MOUNTING DIMENSION (mm)						齿参数 GEAR DATA			重量 WEIGHT (kg)
	Da	Di	H	h1	h2	U	C	La	na	Li	ni	dB	Hb	Do	m	z	
NFB 41.32.3550	3772.8	3358	159	109	143	3509	3597	3638	76	3418	76	30	54	3712	16	232	2028
NFB 41.32.3750	3980.8	3558	159	109	143	3709	3797	3846	80	3618	80	30	54	3936	16	246	2186
NFB 41.32.4000	4220.8	3808	159	109	143	3959	4047	4086	84	3868	84	30	54	4176	16	261	2278
NFB 41.32.4250	4476.8	4058	159	109	143	4209	4297	4342	90	4118	90	30	54	4416	16	276	2455

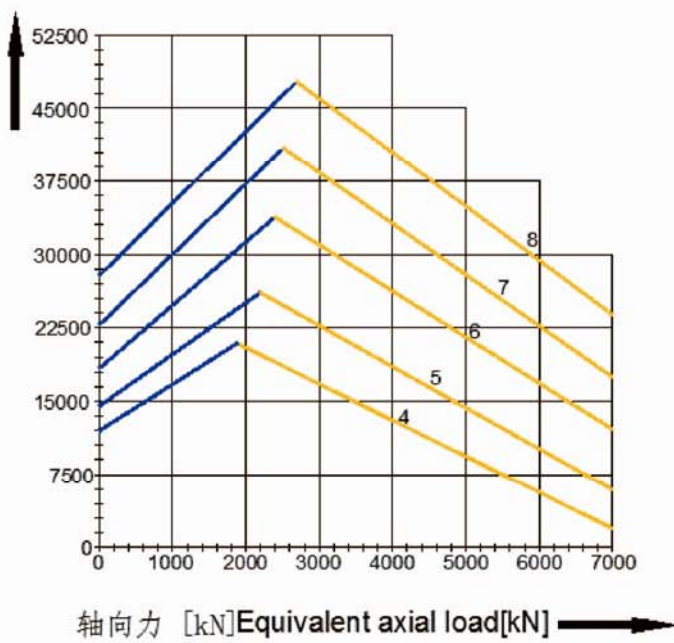
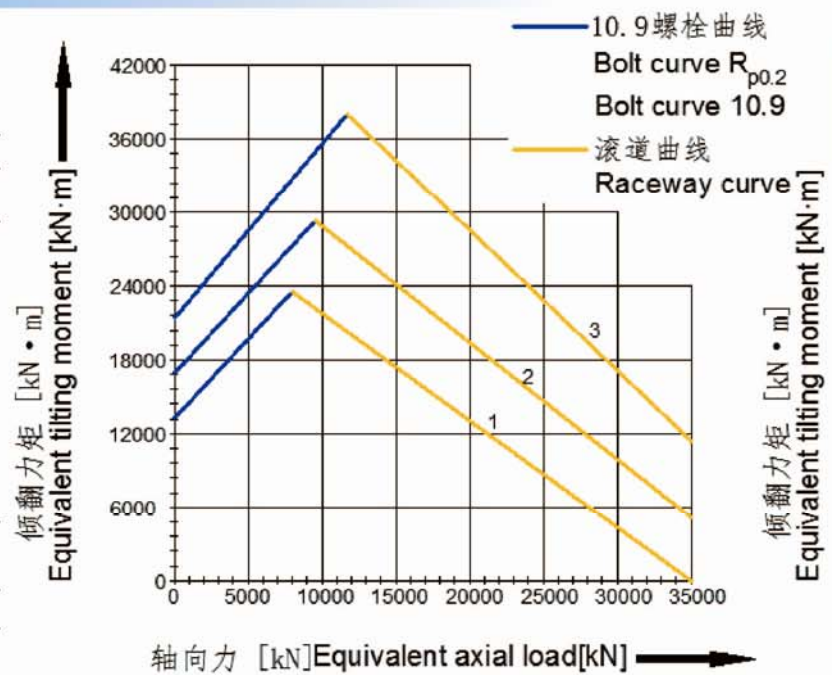
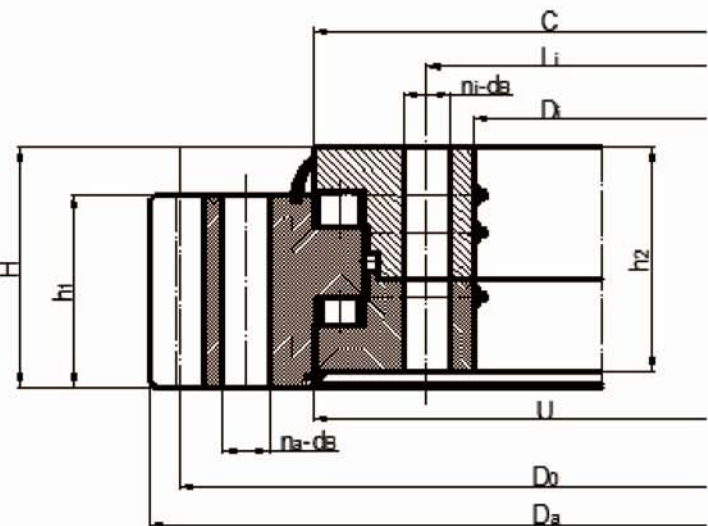
三排滚柱 外齿式 Three Row Roller External gear



型号 TYPE	外形尺寸 DIMENSION (mm)							安装尺寸 MOUNTING DIMENSION (mm)					齿参数 GEAR DATA			重量 WEIGHT (kg)
	Da	Di	H	h1	h2	U	C	La	na	Li	ni	dB	Do	m	z	
NFB 31.20.1250	1461.6	1103	132	106	123	1282	1280	1355	36	1155	36	26	1428	12	119	542
NFB 31.20.1400	1635.2	1253	132	106	123	1432	1430	1505	36	1305	36	26	1596	14	114	646
NFB 31.20.1600	1831.2	1453	132	106	123	1632	1630	1705	40	1705	40	26	1792	14	128	731
NFB 31.20.1800	2044.8	1653	132	106	123	1832	1830	1905	46	1905	46	26	2000	16	125	844
NFB 31.20.2000	2236.8	1853	132	106	123	2032	2030	2105	54	2105	54	26	2192	16	137	912
NFB 31.25.1800	2076.8	1619	147	117	138	1826	1836	1925	36	1685	36	33	2032	16	127	1126
NFB 31.25.2000	2268.8	1819	147	117	138	2026	2036	2125	44	1885	44	33	2224	16	139	1216
NFB 31.25.2240	2516.4	2059	147	117	138	2266	2276	2366	48	2125	48	33	2466	18	137	1378
NFB 31.25.2500	2786.4	2319	147	117	138	2526	2536	2625	54	2385	54	33	2736	18	152	1567
NFB 31.25.2800	3096	2619	147	117	138	2826	2836	2925	60	2685	60	33	3040	20	152	1785

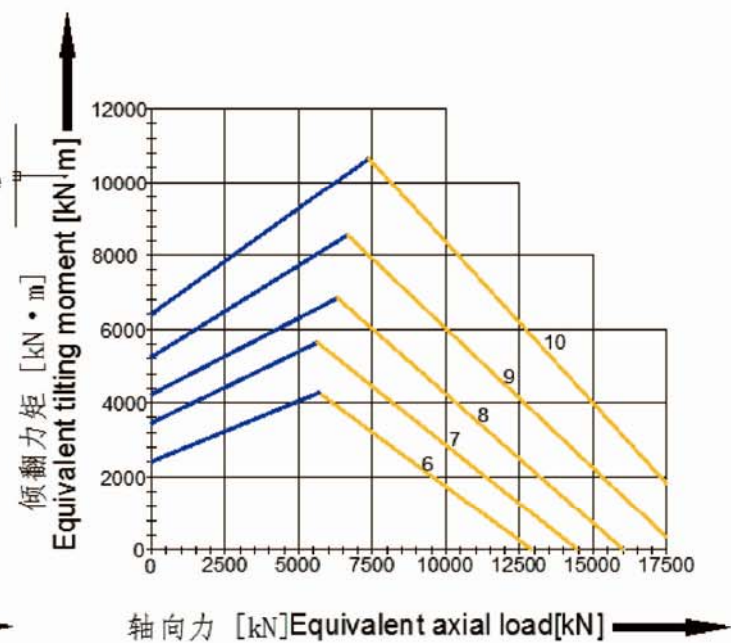
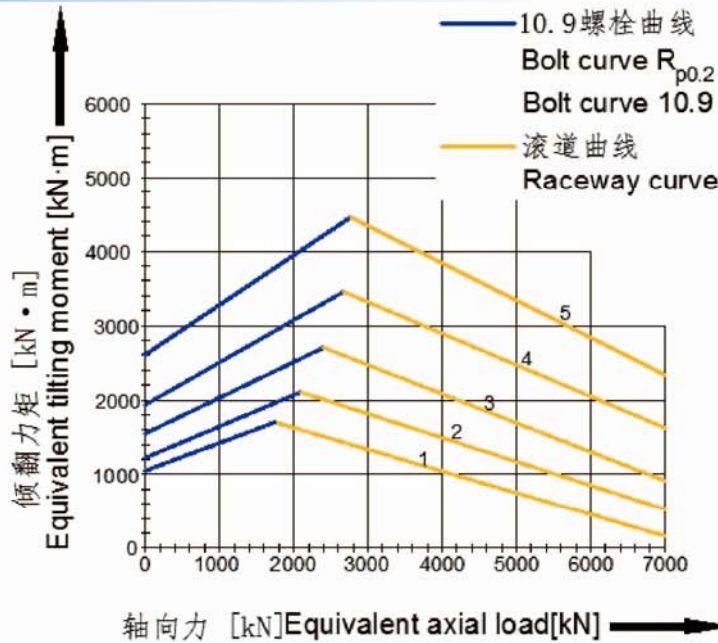
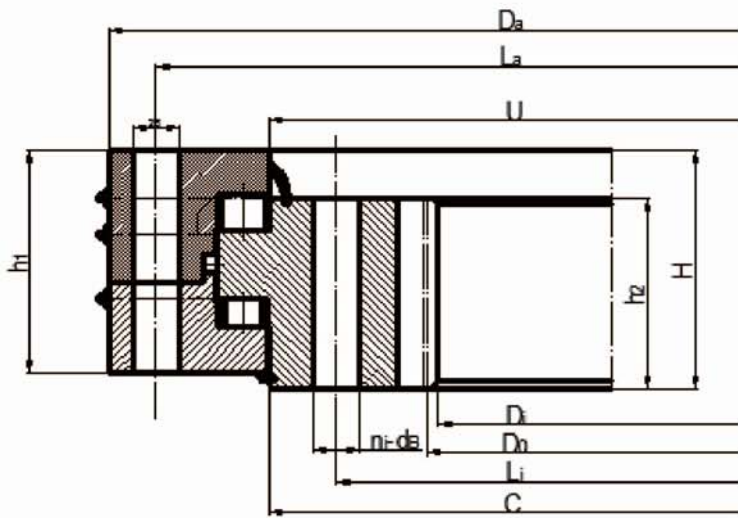


型号 TYPE	外形尺寸 DIMENSION (mm)							安装尺寸 MOUNTING DIMENSION (mm)					齿参数 GEAR DATA			重量 WEIGHT (kg)
	Da	Di	H	h1	h2	U	C	La	na	Li	ni	dB	Do	m	z	
NFB 31.32.2240	2552.4	2022	181	139	172	2270	2281	2395	40	2100	40	39	2502	18	139	1975
NFB 31.32.2500	2822.4	2282	181	139	172	2530	2541	2655	44	2360	44	39	2772	18	154	2260
NFB 31.32.2800	3136	2582	181	139	172	2830	2841	2955	48	2660	48	39	3080	20	154	2576
NFB 31.32.3150	3476	2932	181	139	172	3180	3191	3305	56	3010	56	39	3420	20	171	2828
NFB 31.32.3550	3889.6	3332	181	139	172	3580	3591	3705	66	3410	66	39	3828	22	174	3249
NFB 31.32.4000	4351.6	3782	181	139	172	4030	4041	4155	72	3860	72	39	4290	22	195	3752
NFB 31.40.2800	3136	2562	220	170	210	2837	2850	2965	48	2640	48	39	3080	20	154	3267
NFB 31.40.3150	3515	2912	220	170	210	3187	3200	3315	56	2990	56	39	3454	22	157	3812

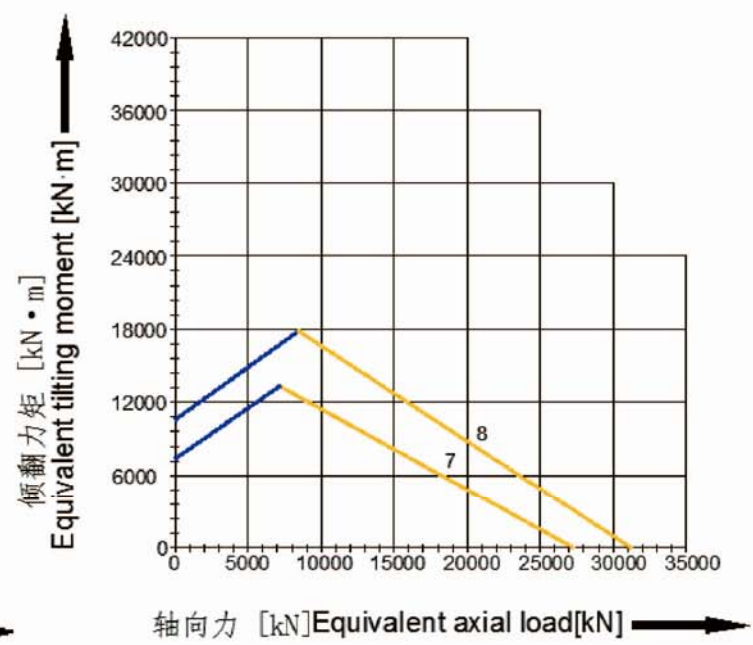
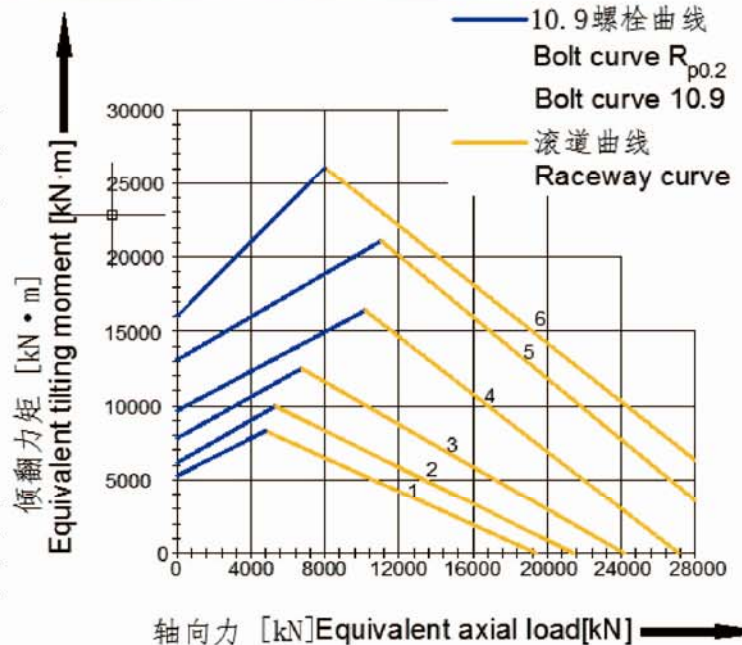
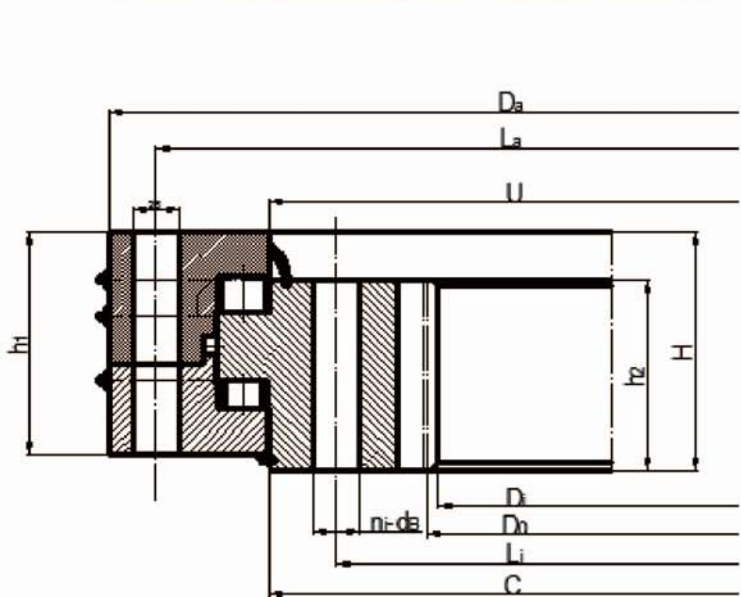


型号 TYPE	外形尺寸 DIMENSION (mm)							安装尺寸 MOUNTING DIMENSION (mm)					齿参数 GEAR DATA			重量 WEIGHT
	Da	Di	H	h1	h2	U	C	La	na	Li	ni	dB	Do	m	z	(kg)
NFB 31.40.3550	3911.6	3312	220	170	210	3600	4255	3715	66	3390	66	39	3850	22	175	4255
NFB 31.40.4000	4363.2	3762	220	170	210	4050	4805	4165	72	3840	72	39	4296	24	179	4805
NFB 31.40.4500	4867.2	4262	220	170	210	4550	5410	4665	84	4340	84	39	4800	24	200	5410
NFB 31.50.3150	3571.2	2885	268	203	258	3196	3210	3350	48	2975	48	45	3504	24	146	5298
NFB 31.50.3550	3955.2	3285	268	203	258	3596	3610	3750	54	3375	54	45	3888	24	162	5830
NFB 31.50.4000	4411.2	3735	268	203	258	4046	4060	4200	60	3825	60	45	4344	24	181	6578
NFB 31.50.4500	4915.2	4235	268	203	258	4546	4560	4700	68	4325	68	45	4848	24	202	7456
NFB 31.50.4750	5179.2	4485	268	203	258	4796	4810	4950	76	4575	76	45	5112	24	213	4810

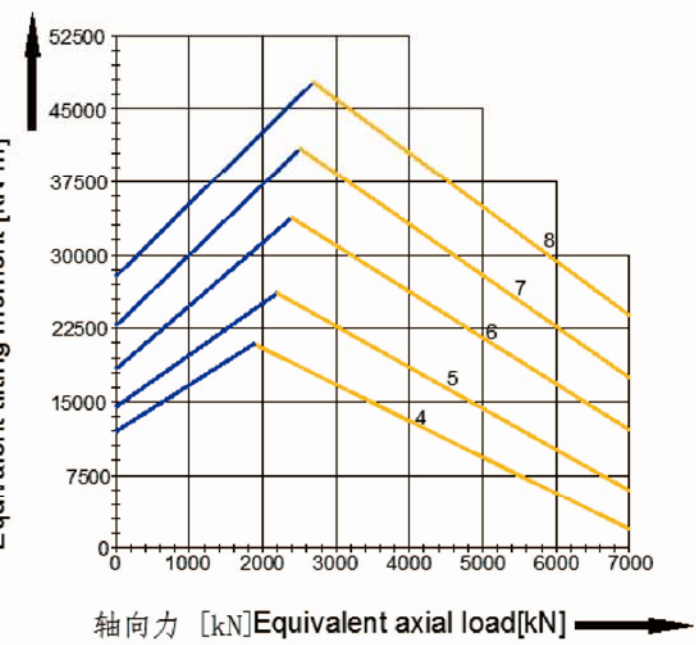
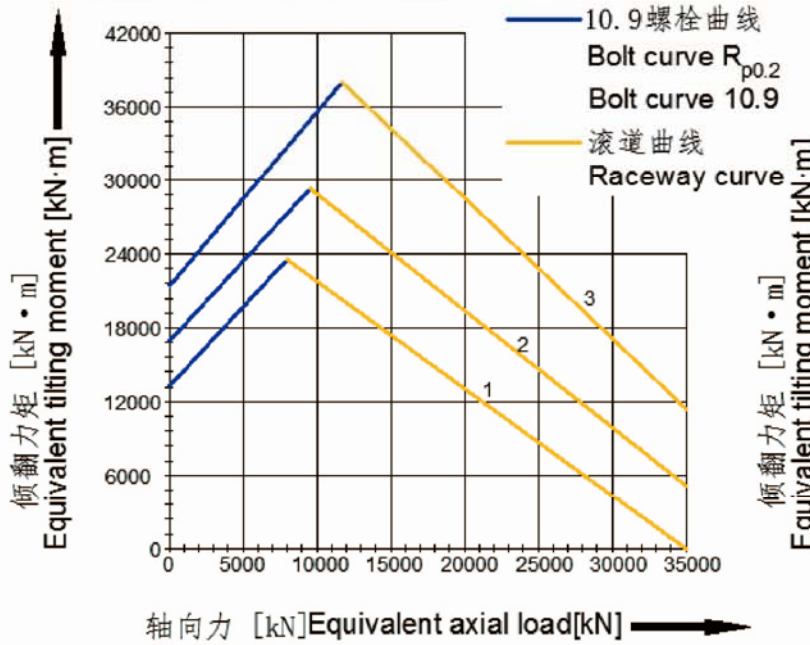
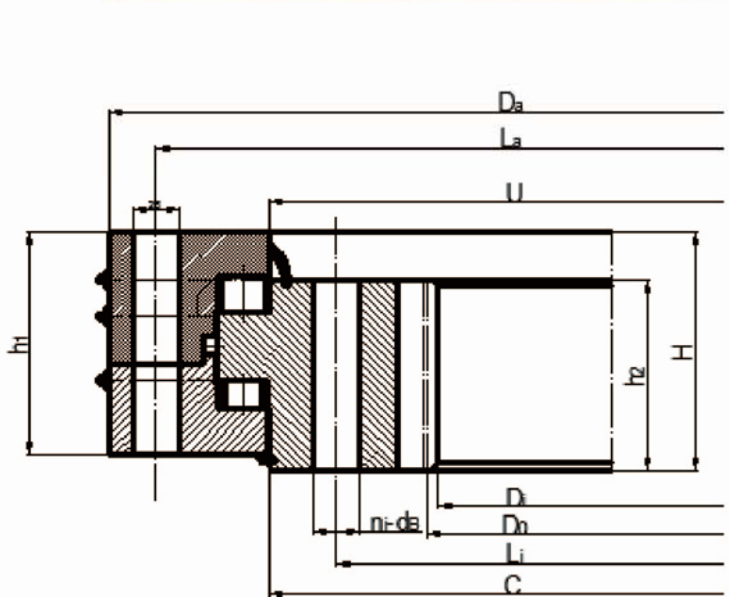
三排滚柱 内齿式 Three Row Roller Internal gear



型号 TYPE	外形尺寸 DIMENSION (mm)							安装尺寸 MOUNTING DIMENSION (mm)					齿参数 GEAR DATA			重量 WEIGHT (kg)
	Da	Di	H	h1	h2	U	C	La	na	Li	ni	dB	Do	m	z	
NFB 32.20.1250	1397	1032	132	123	106	1219	1218	1345	36	1145	36	26	1044	12	87	539
NFB 32.20.1400	1547	1162	132	123	106	1369	1368	1495	36	1295	36	26	1176	14	84	63
NFB 32.20.1600	1747	1372	132	123	106	1569	1568	1695	40	1495	40	26	1386	14	99	705
NFB 32.20.1800	1947	1552	132	123	106	1769	1768	1895	46	1695	46	26	1568	16	98	829
NFB 32.20.2000	2147	1760	132	123	106	1969	1968	2095	54	1895	54	26	1776	16	111	902
NFB 32.25.1800	1981	1520	147	138	117	1763	1774	1915	36	1675	36	33	1536	16	96	1101
NFB 32.25.2000	2181	1728	147	138	117	1963	1974	2115	44	1875	44	33	1744	16	109	1202
NFB 32.25.2240	2421	1944	147	138	117	2203	2214	2355	48	2115	48	33	1962	18	109	1406
NFB 32.25.2500	2681	2214	147	138	117	2463	2474	2615	54	2375	54	33	2232	18	124	1545
NFB 32.25.2800	2981	2500	147	138	117	2763	2774	2915	60	2675	60	33	2520	20	126	1767

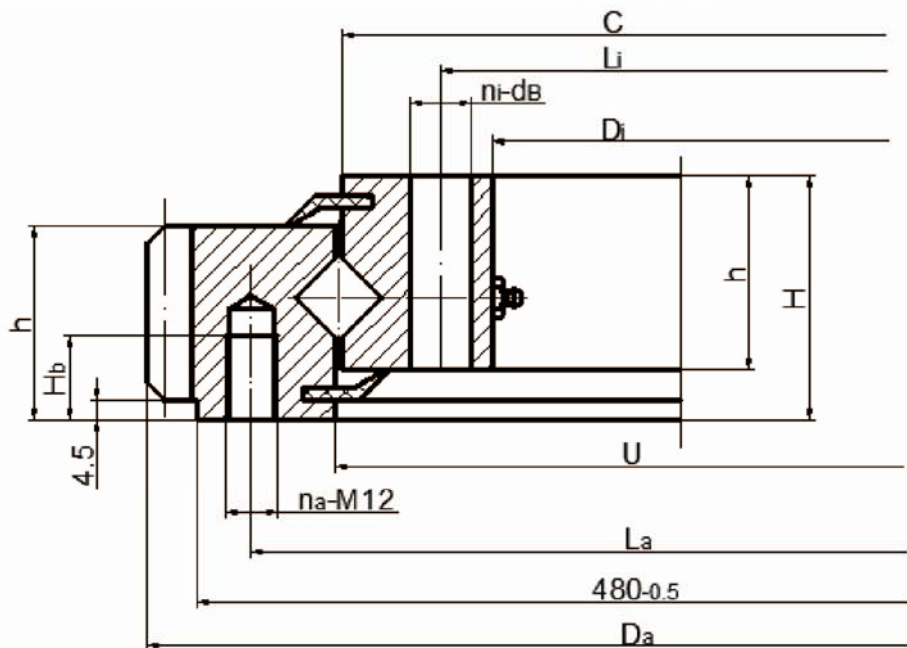


型号 TYPE	外形尺寸 DIMENSION (mm)							安装尺寸 MOUNTING DIMENSION (mm)					齿参数 GEAR DATA			重量 WEIGHT (kg)
	D_a	D_i	H	h_1	h_2	U	C	L_a	n_a	L_i	n_i	d_B	D_o	m	z	
NFB 32.32.2240	2458	1908	181	172	139	2199	2210	2380	40	2085	40	39	1926	18	107	2010
NFB 32.32.2500	2718	2178	181	172	139	2459	2470	2640	44	2345	44	39	2196	18	122	2210
NFB 32.32.2800	3018	1460	181	172	139	2759	2770	2940	48	2645	48	39	2480	20	124	2542
NFB 32.32.3150	3368	2820	181	172	139	3109	3120	3290	56	2995	56	39	2840	20	142	2807
NFB 32.32.3550	3768	3190	181	172	139	3509	3520	3690	66	3395	66	39	3212	22	146	3302
NFB 32.32.4000	4218	3652	181	172	139	3959	3970	4140	72	3845	72	39	3674	22	167	3664
NFB 32.40.2800	3038	2460	220	210	170	2750	2763	2960	48	2635	48	39	2480	20	124	3213
NFB 32.40.3150	3388	2794	220	210	170	3100	3113	3310	56	2985	56	39	2816	22	128	3683

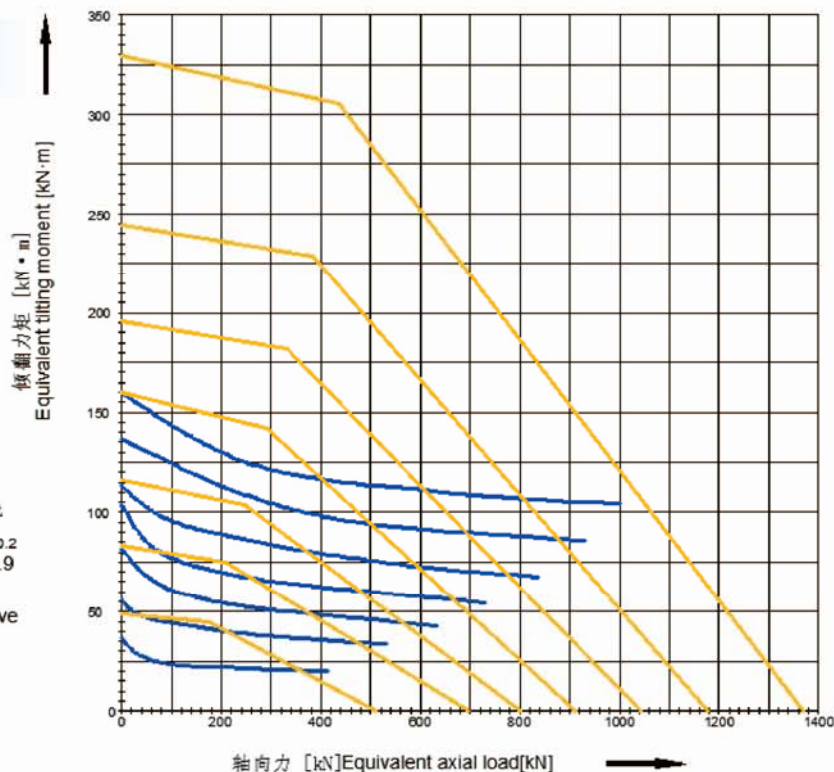


型号 TYPE	外形尺寸 DIMENSION (mm)							安装尺寸 MOUNTING DIMENSION (mm)					齿参数 GEAR DATA			重量 WEIGHT (kg)
	Da	Di	H	h1	h2	U	C	La	na	Li	ni	dB	Do	m	z	
NFB 32.40.3550	3788	3190	220	210	170	3500	3513	3710	66	3385	66	39	3212	22	146	4171
NFB 32.40.4000	4238	3624	220	210	170	3950	3963	4160	72	3835	72	39	3648	24	152	4810
NFB 32.40.4500	4738	4128	220	210	170	4450	4463	1660	84	4335	84	39	4152	24	173	5367
NFB 32.50.3150	3415	2736	268	258	203	3090	3104	3325	48	2950	48	45	2760	24	115	5128
NFB 32.50.3550	3815	3120	268	258	203	3490	3504	3725	54	3350	54	45	3144	24	131	5916
NFB 32.50.4000	4265	3576	268	258	203	3940	3954	4175	60	3800	60	45	3600	24	150	6623
NFB 32.50.4500	4765	4080	268	258	203	4440	4454	4675	68	4300	68	45	4104	24	171	7427
NFB 32.50.4750	5015	4320	268	258	203	4690	4704	4925	76	4550	76	45	4344	24	181	7840

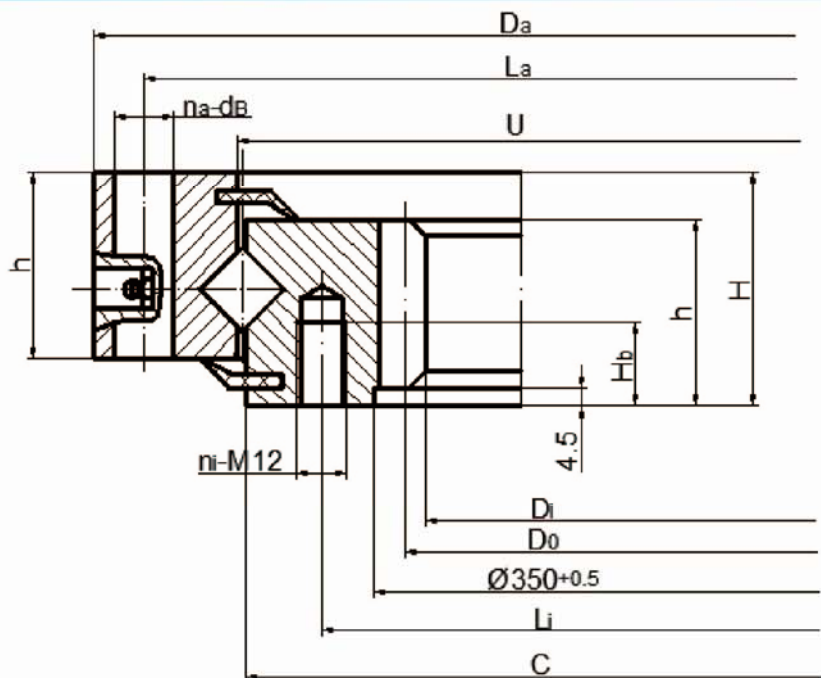
交叉滚柱 外齿式 Crossed Roller External gear



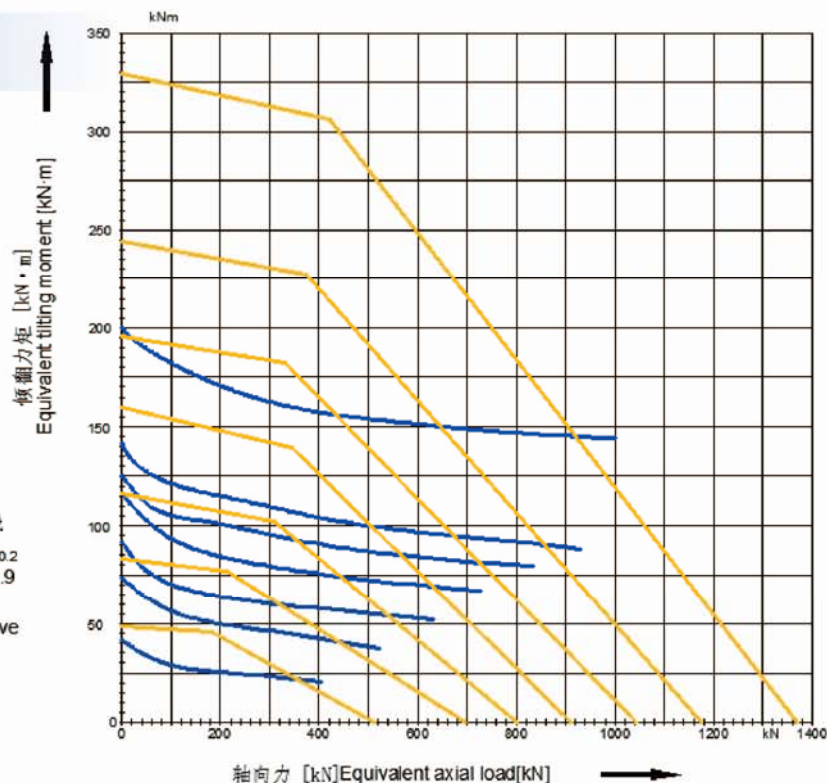
10.9 螺栓曲线
Bolt curve R_{p0.2}
Bolt curve 10.9
滚道曲线
Raceway curve



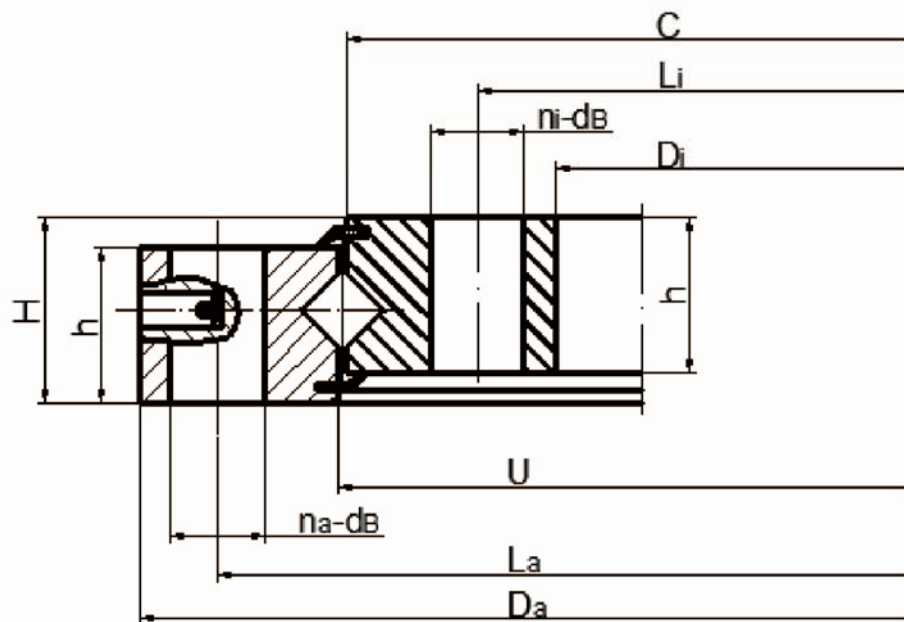
型号 TYPE	外形尺寸 DIMENSION (mm)						安装尺寸 MOUNTING DIMENSION (mm)						齿参数 GEAR DATA			重量 WEIGHT (kg)
	Da	Di	H	h	U	C	La	na	Li	ni	dB	Hb	Do	m	z	
NFB 11.14.0414	503.3	344	56	44.5	417	413	455	20	368	24	14	20	495	5	99	32
NFB 11.14.0544	640.3	474	56	44.5	547	543	585	28	498	32	14	20	630	6	105	44
NFB 11.14.0644	742.3	574	56	44.5	647	643	685	32	598	36	14	20	732	6	122	52
NFB 11.14.0744	838.1	674	56	44.5	747	743	785	36	698	40	14	20	828	6	138	59
NFB 11.14.0844	950.1	774	56	44.5	847	843	885	36	798	40	14	20	936	8	117	71
NFB 11.14.0944	1046.1	874	56	44.5	947	943	985	40	898	44	14	20	1032	8	129	77
NFB 11.14.1094	1198.1	1024	56	44.5	1097	1093	1135	44	1048	48	14	20	1184	8	148	91



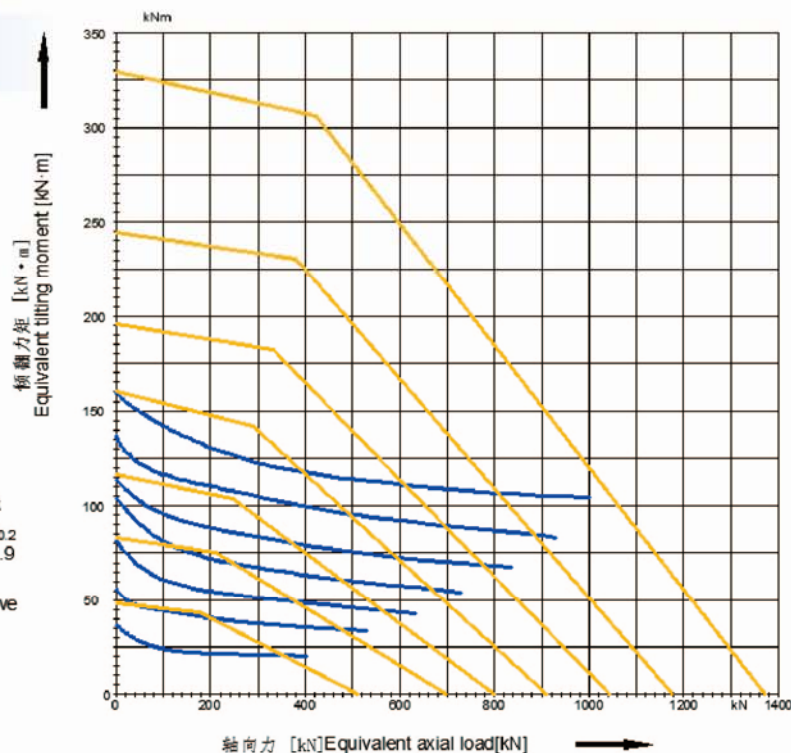
10.9 螺母曲线
Bolt curve R_{p0.2}
Bolt curve 10.9
滚道曲线
Raceway curve



型号 TYPE	外形尺寸 DIMENSION (mm)						安装尺寸 MOUNTING DIMENSION (mm)						齿参数 GEAR DATA			重量 WEIGHT (kg)
	Da	Di	H	h	U	C	La	na	Li	ni	dB	Hb	Do	m	z	
NFB 12.14.0414	484	325	56	44.5	415	411	460	24	375	24	14	20	335	5	67	31
NFB 12.14.0544	614	444	56	44.5	545	541	590	32	505	32	14	20	456	6	76	43
NFB 12.14.0644	714	546	56	44.5	645	641	690	36	605	36	14	20	558	6	93	50
NFB 12.14.0744	814	648	56	44.5	745	741	790	40	705	40	14	20	660	6	110	58
NFB 12.14.0844	914	736	56	44.5	845	841	890	40	805	40	14	20	752	8	94	69
NFB 12.14.0944	1014	840	56	44.5	945	941	990	44	905	44	14	20	856	8	107	76
NFB 12.14.1094	1164	980	56	44.5	1095	1091	1140	48	1055	48	14	20	1000	8	125	91



10.9螺栓曲线
Bolt curve R_{b0.2}
Bolt curve 10.9
滚道曲线
Raceway curve



型号 TYPE	外形尺寸 DIMENSION (mm)						安装尺寸 MOUNTING DIMENSION (mm)					重量 WEIGHT (kg)
	Da	Di	H	h	U	C	La	na	Li	ni	dB	
NFB 10.14.0414	484	325	56	44.5	415	413	460	24	368	24	14	28
NFB 10.14.0544	614	444	56	44.5	545	543	590	32	498	32	14	38
NFB 10.14.0644	714	546	56	44.5	645	643	690	36	598	36	14	44
NFB 10.14.0744	814	648	56	44.5	745	743	790	40	698	40	14	52
NFB 10.14.0844	914	736	56	44.5	845	843	890	40	798	40	14	60
NFB 10.14.0944	1014	840	56	44.5	945	943	990	44	898	44	14	67
NFB 10.14.1094	1164	980	56	44.5	1095	1093	1140	48	1048	48	14	77

Newfoton



Anshan Newfoton Machinery Co.,Ltd

Add: Wangjia Village, Qidashan Town
High-tech District, Anshan City
Liaoning Province,China

[Http://www.asnfb.com](http://www.asnfb.com)

[Http://www.asxfy.com](http://www.asxfy.com)

[Http://www.newfoton.com](http://www.newfoton.com)

Tel: 86(412)7105527 2555957

Email:info@newfoton.com

鞍山新福源设备有限公司

工厂地址：辽宁省鞍山市高新区齐大山镇王家新村

公司网站：www.asnfb.com

www.asxfy.com

集团网站：www.newfoton.com

特种轴承事业部：0412-2507077 7224715

邮箱地址：info@newfoton.com